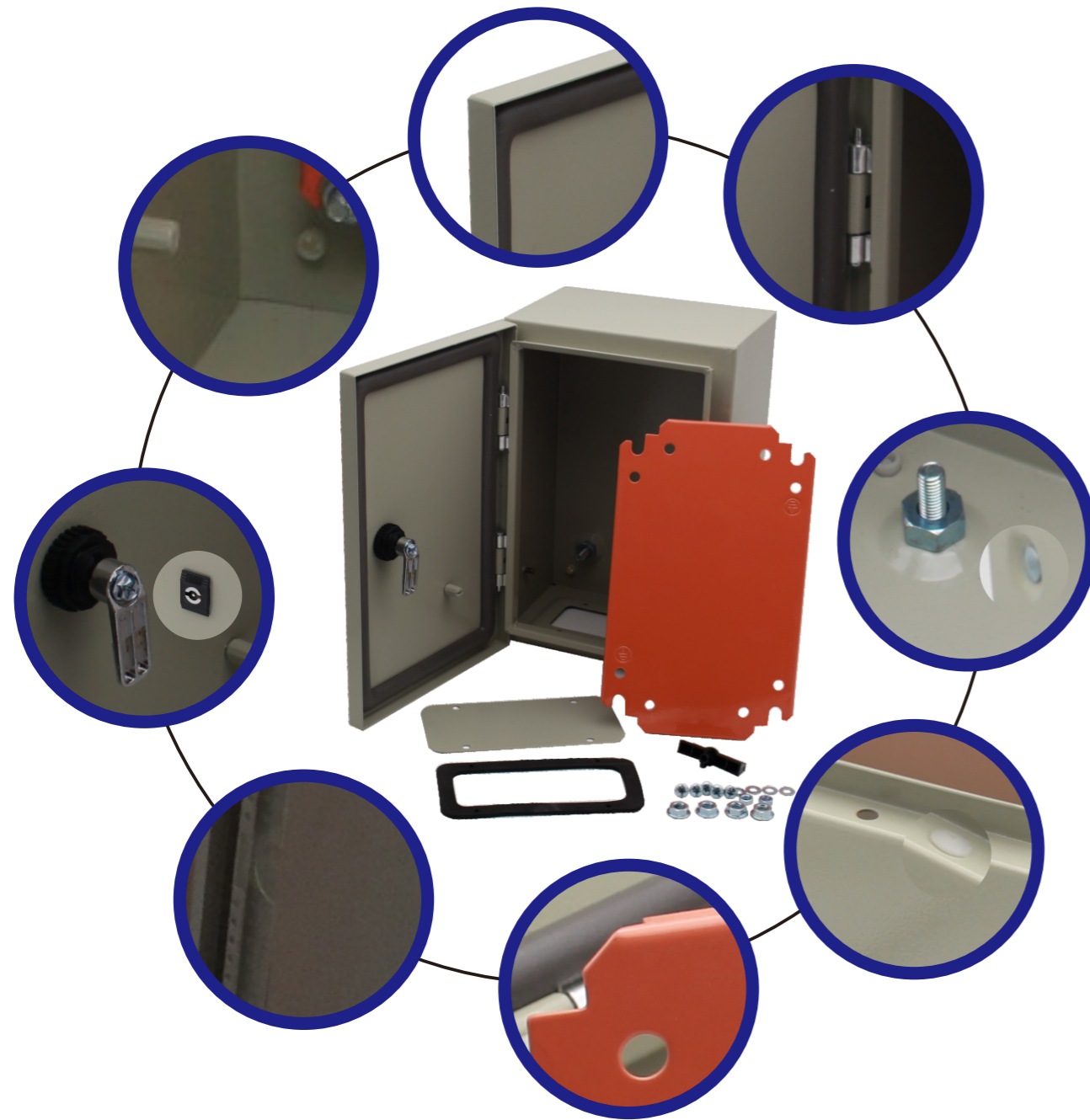


XJBS-A Wall Mounting Steel Enclosures

Composition



XJBS-A Wall Mounting Steel Enclosures



XJBS-A wall mounting steel enclosures is made from sheet steel, designed to be assembled with various electrical components according to different control function requirements.

Construction

Material

- Body: 1.2mm sheet steel till size XJBS-A 8060/20 then 1.5mm
- Mounting plate: 1.5mm sheet steel till size XJBS-A 8060/20 then 2.0mm
- Door: 1.2mm sheet steel size XJBS-A 8060/20 then 1.5mm

Surface finish

- Body and door: Epoxy polyester powder coating textured finish
- Mounting plate: Epoxy polyester powder coating flat finish

Color

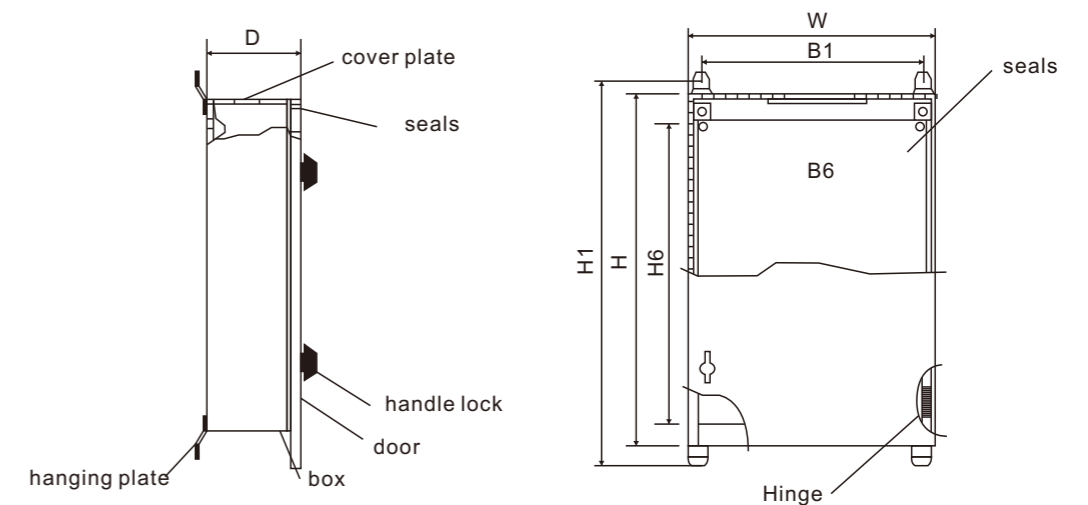
- Body and door: RAL7032 RAL7035
- Mounting plate: RAL 2000 OR galvanized steel
- Protection degree: IP 65
- Against mechanical impacts: IK10

Feature

- Dust and Water proof :Using PU foam Sealing gasket inside to prevent dust and water
- Door opening angle: 120°by plugging hinges(reinforcing profile is aviable height from 600mm)
- 4 hanging holes in the back of the enclosures, installed by the wall mounting brackets which need ordered separately

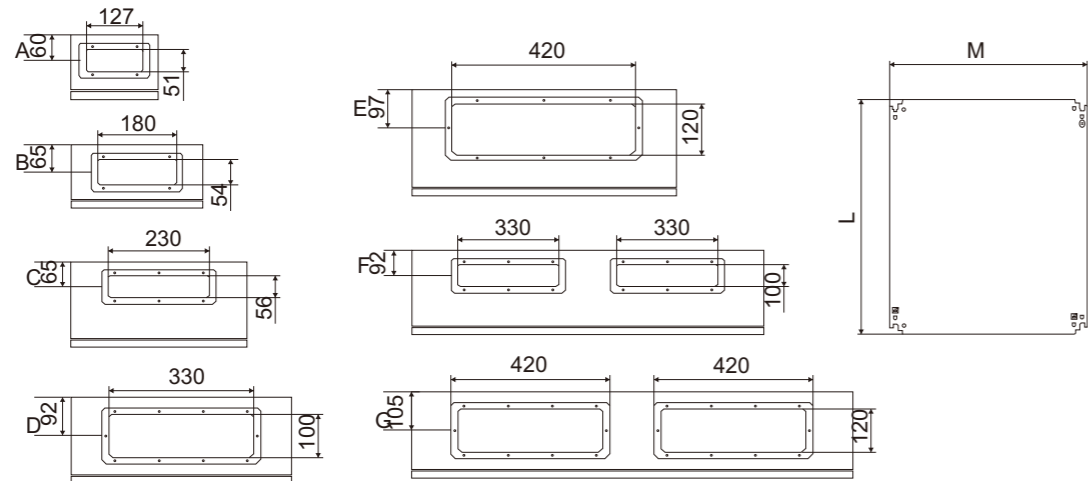
Supply

- Enclosure and door
- Mounting plate
- Lock system
- Gland plate, sealing gasket and fixing accessories

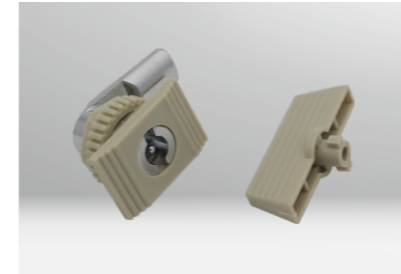


Dimension

Model	Size			Gland Plate Size	Mounting Plate Size		Model	Size			Gland Plate Size	Mounting Plate Size	
	H(mm)	W(mm)	D(mm)		L	M		H(mm)	W(mm)	D(mm)		L	M
XJBS-A 2020/15	200	200	150	A	150	150	XJBS-A 6060/30	600	600	300	E	550	450
XJBS-A 2520/15	250	200	150	A	200	150	XJBS-A 7050/15	700	500	150	C	650	450
XJBS-A 3020/15	300	200	150	A	250	150	XJBS-A 7050/20	700	500	200	D	650	450
XJBS-A 3025/15	300	250	150	B	250	200	XJBS-A 7060/20	700	600	200	E	650	550
XJBS-A 3025/20	300	250	200	B	250	200	XJBS-A 7060/25	700	600	250	E	650	550
XJBS-A 3030/15	300	300	150	B	250	250	XJBS-A 7060/30	700	600	300	E	650	550
XJBS-A 3030/20	300	300	200	B	250	250	XJBS-A 8060/20	800	600	200	E	750	550
XJBS-A 3030/25	300	300	250	B	250	250	XJBS-A 8060/25	800	600	250	E	750	550
XJBS-A 4030/15	400	300	150	C	350	250	XJBS-A 8060/30	800	600	300	E	750	550
XJBS-A 4030/20	400	300	200	C	350	250	XJBS-A 8080/20	800	800	200	F	750	750
XJBS-A 4030/25	400	300	250	C	350	250	XJBS-A 8080/25	800	800	250	F	750	750
XJBS-A 4030/30	400	300	300	C	350	250	XJBS-A 8080/30	800	800	300	F	750	750
XJBS-A 4040/15	400	400	150	C	350	350	XJBS-A 10060/20	1000	600	200	E	950	550
XJBS-A 4040/20	400	400	200	C	350	350	XJBS-A 10060/25	1000	600	250	E	950	550
XJBS-A 4040/25	400	400	250	C	350	350	XJBS-A 10060/30	1000	600	300	E	950	550
XJBS-A 4040/30	400	400	300	C	350	350	XJBS-A 10070/20	1000	700	200	E	950	650
XJBS-A 5030/15	500	300	150	C	450	250	XJBS-A 10080/20	1000	800	200	F	950	750
XJBS-A 5030/20	500	300	200	C	450	250	XJBS-A 10080/25	1000	800	250	F	950	750
XJBS-A 5030/25	500	300	250	C	450	250	XJBS-A 10080/30	1000	800	300	F	950	750
XJBS-A 5040/15	500	400	150	C	450	350	XJBS-A 10080/40	1000	800	400	F	950	750
XJBS-A 5040/20	500	400	200	D	450	350	XJBS-A 100100/25	1000	1000	250	G	950	950
XJBS-A 5040/25	500	400	250	D	450	350	XJBS-A 100100/30	1000	1000	300	G	950	950
XJBS-A 5040/30	500	400	300	D	450	350	XJBS-A 12060/20	1200	600	200	E	1150	550
XJBS-A 5050/20	500	500	200	D	450	450	XJBS-A 12060/25	1200	600	250	E	1150	550
XJBS-A 5050/25	500	500	250	D	450	450	XJBS-A 12060/30	1200	600	300	E	1150	550
XJBS-A 5050/30	500	500	300	D	450	450	XJBS-A 12080/20	1200	800	200	F	1150	750
XJBS-A 6040/15	600	400	150	D	550	350	XJBS-A 12080/25	1200	800	250	F	1150	750
XJBS-A 6040/20	600	400	200	D	550	350	XJBS-A 12080/30	1200	800	300	F	1150	750
XJBS-A 6040/25	600	400	250	D	550	350	XJBS-A 12080/40	1200	800	400	F	1150	750
XJBS-A 6040/30	600	400	300	D	550	350	XJBS-A 120100/25	1200	1000	250	G	1150	950
XJBS-A 6050/15	600	500	150	C	550	450	XJBS-A 120100/30	1200	1000	300	G	1150	950
XJBS-A 6050/20	600	500	200	D	550	450	XJBS-A 120100/40	1200	1000	400	G	1150	950
XJBS-A 6050/25	600	500	250	D	550	450	XJBS-A 14060/30	1400	600	300	E	1350	550
XJBS-A 6050/30	600	500	300	D	550	450	XJBS-A 14080/30	1400	800	300	F	1350	750
XJBS-A 6060/15	600	600	150	C	550	550	XJBS-A 14080/40	1400	800	400	F	1350	750
XJBS-A 6060/20	600	600	200	E	550	550	XJBS-A 140100/30	1400	1000	300	G	1350	950
XJBS-A 6060/25	600	600	250	E	550	550	XJBS-A 140120/30	1400	1200	300	G	1350	1150



Accessories of Wall Mount Enclosures



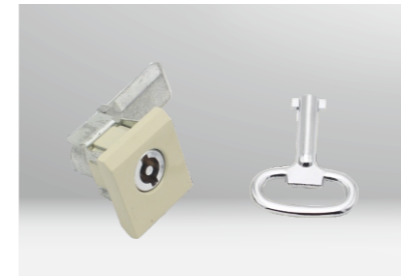
K-01



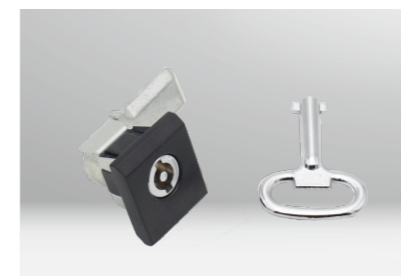
K-02



K-03, K-04



K-05



K-06



K-08



K-07



K-09



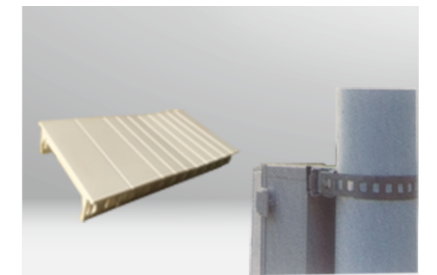
G-03



G-09 Handle
G-02 Rings



G-01 Earth wire
G-05 Door stop



G-07 Cover
G-08 Upright post fixing

XJBS-A-C Wall Mount Enclosures Chassis



XJBS-A-C wall mount enclosures chassis modular metal chassis is designed for large amount of accessories centralized install on the din rail to protection, command and signaling, exposed directly on the protective covers.

Construction

- | | |
|--|-------------------|
| Material | Color |
| • 1.2mm sheet steel | • RAL7032 RAL7035 |
| Surface finish | |
| • Epoxy polyester powder coating textured finish | |

Supply

- | | |
|-------------------|----------|
| Interior door | Snap nut |
| Vertical brackets | Screw |
| Protective covers | |

Detail parameter

Code of chassis	Dimension of the exterior enclosure box H(mm)×Width(mm)	No.Rows ×modules	Total modules	Code of chassis	Dimension of the exterior enclosure box H(mm)×Width(mm)	No.Rows ×modules	Total modules
XJBS-A-C1A 4030/20	400*300*200	1	12	XJBS-A-C1A 7050/20	700*500*200	1	22
XJBS-A-C1B 4030/20	400*300*200	2	24	XJBS-A-C1B 7050/20	700*500*200	2	44
XJBS-A-C1A 5040/20	500*400*200	1	16	XJBS-A-C1A 8060/25	800*600*250	1	27
XJBS-A-C1D 5040/20	500*400*200	2	32	XJBS-A-C1D 8060/25	800*600*250	2	54
XJBS-A-C1A 6050/20	600*500*200	1	22	XJBS-A-C1C 8060/25	800*600*250	3	81
XJBS-A-C1B 6050/20	600*500*200	2	44	XJBS-A-C1E 8060/25	800*600*250	4	108



XJBS-A-C2

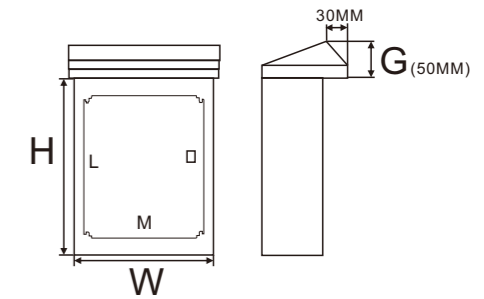


XJBS-A-C3



XJBS-A-C4

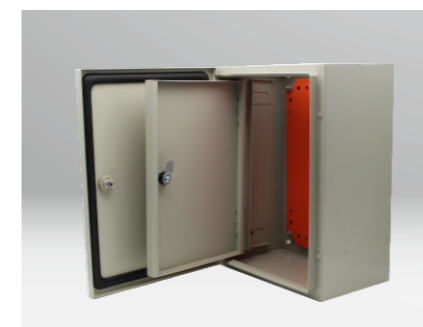
XJBS-D Outdoor Steel Enclosures



Dimension

Dimension			Model	Gland Plate Size	Mounting Plate Size			Size			Model	Gland Plate Size	Mounting Plate Size	
H(mm)	W(mm)	D(mm)			L	M	H(mm)	W(mm)	D(mm)	L			M	
300	200	150	XJBS-D 3020/15	A	250	150	700	500	250	XJBS-D 7050/25	D	650	450	
300	300	300	XJBS-D 3030/30	B	250	250	800	500	200	XJBS-D 8050/20	D	750	450	
400	300	150	XJBS-D 4030/15	B	350	250	800	500	250	XJBS-D 8050/25	D	750	450	
400	300	200	XJBS-D 4030/20	B	350	250	800	600	250	XJBS-D 8060/25	D	750	450	
500	400	200	XJBS-D 5040/20	C	450	350	1000	800	250	XJBS-D 10080/25	F	950	750	
500	400	250	XJBS-D 5040/25	C	450	350	1000	800	300	XJBS-D 10080/30	F	950	750	
600	400	200	XJBS-D 6040/20	C	550	350	1200	800	200	XJBS-D 12080/20	F	1150	750	
600	500	250	XJBS-D 6050/25	C	550	450	1200	800	250	XJBS-D 12080/25	F	1150	750	
600	500	300	XJBS-D 6050/30	D	550	450	1200	800	300	XJBS-D 12080/30	F	1150	750	
700	500	200	XJBS-D 7050/20	D	650	450								

XJBS-A-D Wall Mount Steel Enclosures With Internal Door



XJBS-A-D wall mount steel enclosures with internal door is safer designed for electrical components that cannot be exposed directly on the enclosure box. The inner door and accessories can be individually packed.

Construction

- | | |
|--|---|
| Material | Color |
| • 1.2mm sheet steel size XJBS-A-D 8060/25 then 1.5mm | • RAL7032 RAL7035 |
| Surface finish | Feature |
| • Epoxy polyester powder coating textured finish | • The fixed depth of the inner door can be adjust by user . |

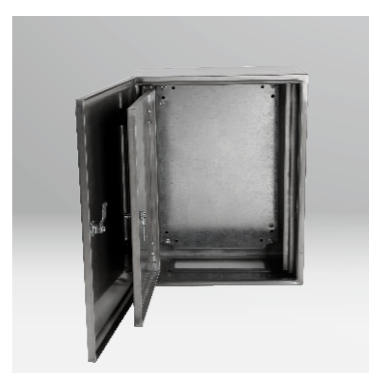
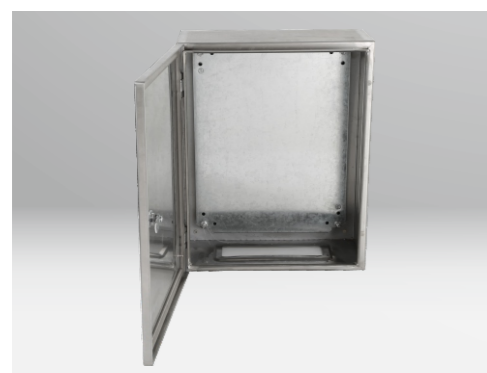
Product model

	Dimension			Mount Plate Size	
	H	W	D	H	W(MM)
XJBS-A-D 4030/20	400	300	200	350	250
XJBS-A-D 5040/20	500	400	200	450	350
XJBS-A-D 6040/20	600	400	200	550	350
XJBS-A-D 6050/20	600	500	200	550	350
XJBS-A-D 7050/20	700	500	200	650	450
XJBS-A-D 8060/25	800	600	250	750	550
XJBS-A-D 10060/30	1000	600	300	950	550
XJBS-A-D 12080/30	1200	800	300	1150	750
XJBS-A-D 14080/35	1400	800	350	1350	750

XJSS Stainless Steel Wall Mount Enclosure/Waterproof Distribution Box



Material:
 Enclosure and door: AISI 304 or AISI 201 Stainless Steel
 1.2mm till size XJSS-808030 then 1.5mm
 Mounting plate: galvanized steel 2.0mm
 Hinge and lock: zinc alloy
 Protection grade: IP65
 Impact resistance: IK10
 Supply Include:
 Stainless steel enclosure and door
 Mounting plate
 Lock system
 Gland plate
 Sealing gasket and accessories



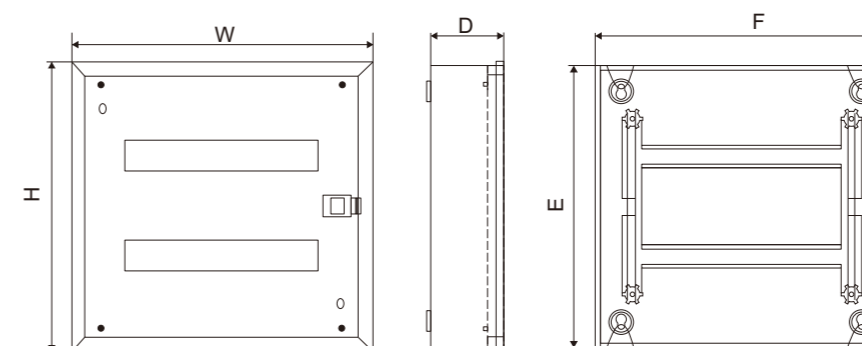
Dimension

Model	H	W	D	Model	H	W	D
XJSS-202015	200	200	150	XJSS-606030	600	600	300
XJSS-302515	300	250	150	XJSS-608030	600	800	300
XJSS-302520	300	250	200	XJSS-705020	700	500	200
XJSS-303015	300	300	150	XJSS-705025	700	500	250
XJSS-303020	300	300	200	XJSS-806020	800	600	200
XJSS-304020	300	400	200	XJSS-806025	800	600	250
XJSS-403015	400	300	150	XJSS-806030	800	600	300
XJSS-403020	400	300	200	XJSS-806040	800	600	400
XJSS-404020	400	400	200	XJSS-808020	800	800	200
XJSS-406025	400	600	250	XJSS-808030	800	800	300
XJSS-406030	400	600	300	XJSS-8010030	800	1000	300
XJSS-504015	500	400	150	XJSS-1006025	1000	600	250
XJSS-504020	500	400	200	XJSS-1006030	1000	600	300
XJSS-504025	500	400	250	XJSS-1008025	1000	800	250
XJSS-505025	500	500	250	XJSS-1008030	1000	800	300
XJSS-604015	600	400	150	XJSS-1008040	1000	800	400
XJSS-604020	600	400	200	XJSS-10010030	1000	1000	300
XJSS-604025	600	400	250	XJSS-10012030	1000	1200	300
XJSS-605015	600	500	150	XJSS-1208030	1200	800	300
XJSS-605020	600	500	200	XJSS-1208040	1200	800	400
XJSS-605025	600	500	250	XJSS-12010030	1200	1000	300
XJSS-606025	600	600	250				

XJBK-C Din-rail Modular Kit Distribution Box



Material: Cold rolled sheet steel
 Thickness: Body 1.2mm
 Color: RAL7032/Custom Color
 Door Open Angle: 120°

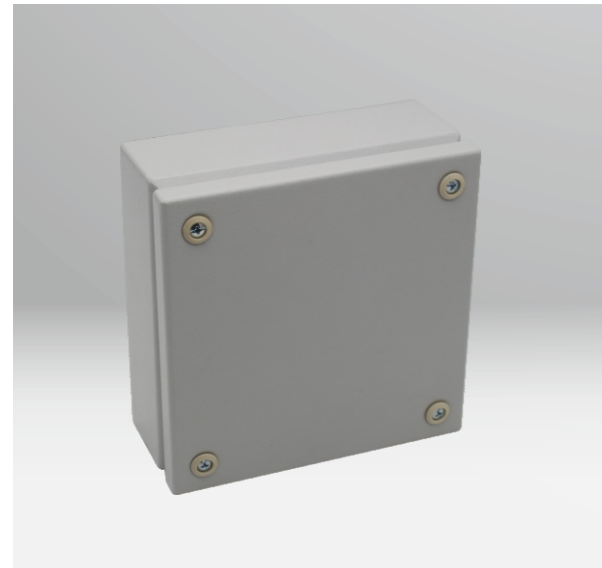


Model	Type	Row	Way
Surface/Flush	Din-Rail	1,2,3,4,5,6	10,12,14,16,18,20

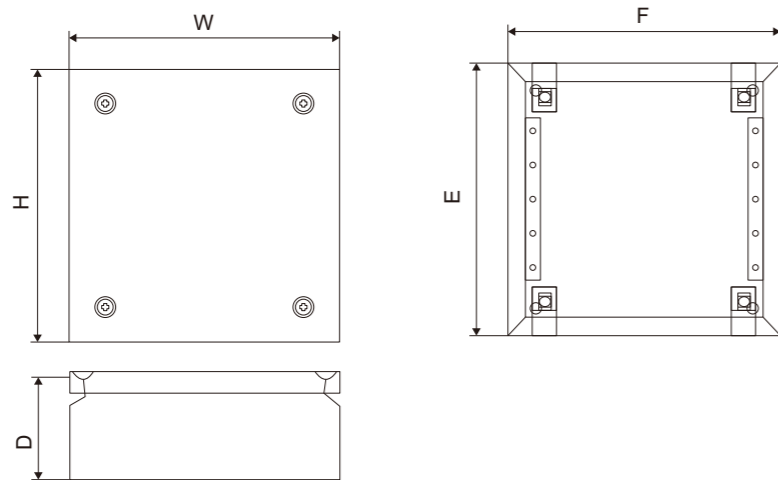
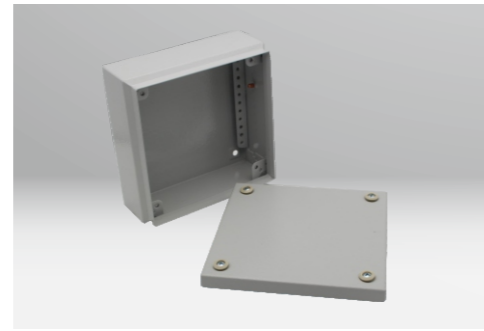
Surface model	H	W	D	E	F
1*16WAY	280	450	110	270	440
2*16WAY	430	450	110	420	440
3*16WAY	580	450	110	570	440
4*16WAY	730	450	110	720	440
5*16WAY	880	450	110	870	440
6*16WAY	1030	450	110	1020	440

Flush model	H	W	D	E	F
1*16WAY	290	460	110	270	440
2*16WAY	440	460	110	420	440
3*16WAY	590	460	110	570	440
4*16WAY	740	460	110	720	440
5*16WAY	890	460	110	870	440
6*16WAY	1040	460	110	1020	440

XJBZ-A Waterproof Junction Box

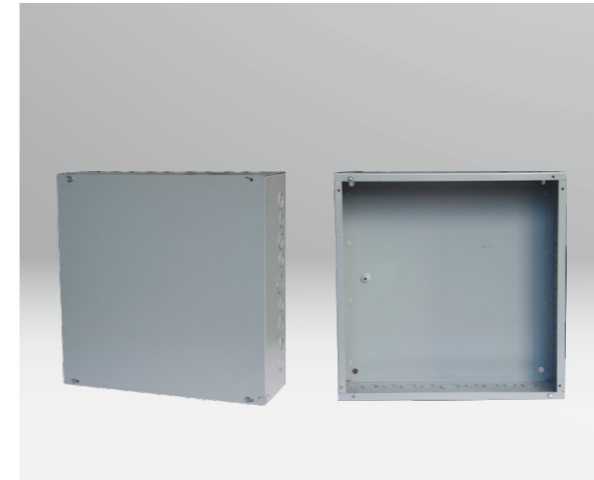


Protection grade: IP65
 Material: Cold rolled sheet steel
 Thickness: Body 1.2mm
 Color: RAL7035/Custom Colo

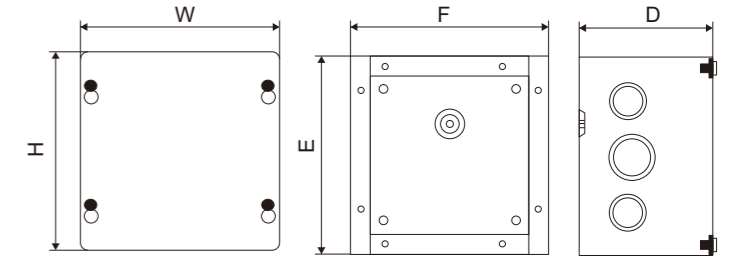


Model	H(mm)	W(mm)	D(mm)	Mounting plate	Model	H(mm)	W(mm)	D(mm)	Mounting plate
XJBZ-A15158	150	150	80	XJBZ-A1515	XJBZ-A40208	400	200	80	XJBZ-A4020
XJBZ-A151512	150	150	120	XJBZ-A1515	XJBZ-A402012	400	200	120	XJBZ-A4020
XJBZ-A20158	200	150	80	XJBZ-A2015	XJBZ-A403012	400	300	120	XJBZ-A4030
XJBZ-A201512	200	150	120	XJBZ-A2015	XJBZ-A404012	400	400	120	XJBZ-A4040
XJBZ-A20208	200	200	80	XJBZ-A2020	XJBZ-A502012	500	200	120	XJBZ-A5020
XJBZ-A202012	200	200	120	XJBZ-A2020	XJBZ-A503012	500	300	120	XJBZ-A5030
XJBZ-A30158	300	150	80	XJBZ-A3015	XJBZ-A60208	600	200	80	XJBZ-A6020
XJBZ-A301512	300	150	120	XJBZ-A3015	XJBZ-A602012	600	200	120	XJBZ-A6020
XJBZ-A30208	300	200	80	XJBZ-A3020	XJBZ-A603012	600	300	120	XJBZ-A6030
XJBZ-A302012	300	200	120	XJBZ-A3020	XJBZ-A604012	600	400	120	XJBZ-A6040
XJBZ-A303012	300	300	120	XJBZ-A3030	XJBZ-A802012	800	200	120	XJBZ-A8020
XJBZ-A401512	400	150	120	XJBZ-A4015	XJBZ-A804012	800	400	120	XJBZ-A8040

XJBZ-B Waterproof Junction Box



Material: Cold rolled sheet steel
 Thickness: Body 1.2mm
 Color: RAL7032/Custom Color

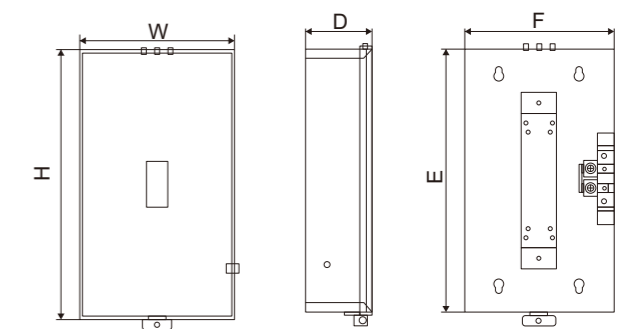


Model	H	W	D	E	F
XJBZ-B151510	150	150	100	150	150
XJBZ-B202010	200	200	100	200	200
XJBZ-B252510	250	250	100	250	250
XJBZ-B303010	300	300	100	300	300
XJBZ-B151515	150	150	150	150	150
XJBZ-B202015	200	200	150	200	200
XJBZ-B252515	250	250	150	250	250
XJBZ-B303015	300	300	150	300	300
XJBZ-B454515	455	455	150	455	455

XJBZ-C Street Light Cutout Box



Material: Cold rolled sheet steel
 Thickness: Body 1.2mm
 Color: RAL7032/Custom Color



Model	Size(mm)	H	W	D	E	F
100A/BH		310	178	77	304	172
250A		422	220	99	430	212
400A		690	385	148	682	377

XJBH Floor Standing Cabinet



XJBH Floor Standing Cabinet can not detachable, the body is bent from a complete sheet steel. Back plate is welded onto a flanged rear profile for higher protection.

Construction

Material

- Body : 1.5mm sheet steel
- Mounting plate : 2.0mm sheet steel
- Door :2.0mm sheet steel
- Protection degree:IP 55
- Against mechanical impacts: Ik10

Surface finish

- Body and door :Epoxy polyester powder coating textured finish
- Mounting plate: Epoxy polyester powder coating flat finish

Color

- Body and door :RAL7032 RAL7035
- Mounting plate: RAL 2000 OR galvanized steel

Supply

- Enclosures body
- Door with locking system and hinges
- Mounting plate
- Fixing Accessories
- Bottom with removable cables entry
- 4 lifting eyebolts
- Plinth to be offered separately



Mounting Plate Fixing



Reinforeing Bar



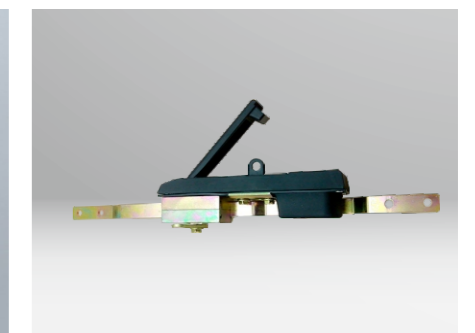
Hinge



Wiring Plate

Dimension

Model	Height(MM)	Width(MM)	Depth(MM)	No. Of Doors	Model	Height(MM)	Width(MM)	Depth(MM)	No. Of Doors
XJBH1010/30	1000	1000	300	2	XJBH188/50	1800	800	500	1
XJBH88/30	800	800	300	1	XJBH188/60	1800	800	600	1
XJBH128/30	1200	800	300	1	XJBH1810/60	1800	1000	400	2
XJBH1210/30	1200	1000	300	2	XJBH1810/50	1800	1000	500	2
XJBH1212/40	1200	1200	400	2	XJBH1812/40	1800	1200	400	2
XJBH1460/30	1400	600	300	1	XJBH1812/50	1800	1200	500	2
XJBH1460/40	1400	600	400	1	XJBH1816/40	1800	1600	400	2
XJBH1480/30	1400	800	300	1	XJBH1816/50	1800	1600	500	2
XJBH1480/40	1400	800	400	1	XJBH206/30	2000	600	300	1
XJBH1410/40	1400	1000	400	2	XJBH206/40	2000	600	400	1
XJBH1412/40	1400	1200	400	2	XJBH208/30	2000	800	300	1
XJBH1660/30	1600	600	300	1	XJBH208/40	2000	800	400	1
XJBH1660/40	1600	600	400	1	XJBH208/50	2000	800	500	1
XJBH168/30	1600	800	300	1	XJBH208/60	2000	800	600	1
XJBH168/40	1600	800	400	1	XJBH2010/40	2000	1000	400	2
XJBH1610/30	1600	1000	300	2	XJBH2010/50	2000	1000	500	2
XJBH1610/40	1600	1000	400	2	XJBH2012/40	2000	1200	400	2
XJBH1612/30	1600	1200	300	2	XJBH2012/50	2000	1200	500	2
XJBH1612/40	1600	1200	400	2	XJBH2012/60	2000	1200	600	2
XJBH186/30	1800	600	300	1	XJBH2016/40	2000	1600	400	2
XJBH186/40	1800	600	400	1	XJBH2016/50	2000	1600	500	2
XJBH188/30	1800	800	300	1	XJBH2016/60	2000	1600	600	2
XJBH188/40	1800	800	400	1					



XJBW Knock Down Cabinet



Construction

Material

- Body: 1.5mm sheet steel
- Mounting plate: 2mm sheet steel
- Door: 2.0mm sheet steel

Surface finish

- Body and door: Epoxy polyester powder coating textured finish
- Mounting plate: Epoxy polyester powder coating flat finish

Color

- Body and door :RAL7032 RAL7035
- Mounting plate: RAL 2000 OR galvanized steel

Supply

The vertical upright column comprises hinge, lock elements ,side fixing block and areall installed.

Welded top

Welded base

Mounting plate slide rail

Mounting plate mounting bracket

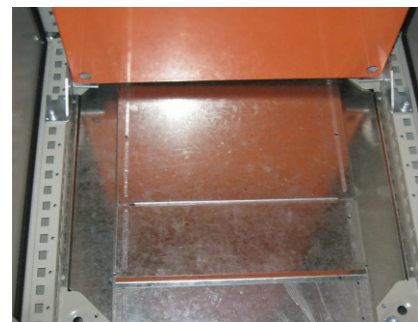
Ordinary door with lock

Ordinary back panel

Side panel: 2 pieces side panels with accessories



Hinge



Wiring Plate



Mounting Plate Fixing



Profile

Dimension

Model	Height(MM)	Width(MM)	Depth(MM)	No. Of Doors	Model	Height(MM)	Width(MM)	Depth(MM)	No. Of Doors
XJBW 12060/40	1200	600	400	1	XJBW 180120/50	1800	1200	500	2
XJBW 12060/60	1200	600	600	1	XJBW 180120/60	1800	1200	600	2
XJBW 12060/80	1200	600	800	1	XJBW 20060/40	2000	600	400	1
XJBW 12080/40	1200	800	400	1	XJBW 20060/50	2000	600	500	1
XJBW 12080/60	1200	800	600	1	XJBW 20060/60	2000	600	600	1
XJBW 12080/80	1200	800	800	1	XJBW 20060/80	2000	600	800	1
XJBW 14060/40	1400	600	400	1	XJBW 20080/40	2000	800	400	1
XJBW 14060/60	1400	600	600	1	XJBW 20080/50	2000	800	500	1
XJBW 14060/80	1400	600	800	1	XJBW 20080/60	2000	800	600	1
XJBW 14080/60	1400	800	600	2	XJBW 20080/80	2000	800	800	1
XJBW 14080/80	1400	800	800	1	XJBW 200100/40	2000	1000	400	2
XJBW 16060/60	1600	600	600	1	XJBW 200100/50	2000	1000	500	2
XJBW 16060/80	1600	600	800	1	XJBW 200100/60	2000	1000	600	2
XJBW 16080/60	1600	800	600	1	XJBW 200100/80	2000	1000	800	2
XJBW 16080/80	1600	800	800	1	XJBW 200120/40	2000	1200	400	2
XJBW 18060/40	1800	600	400	1	XJBW 200120/50	2000	1200	500	2
XJBW 18060/50	1800	600	500	1	XJBW 200120/60	2000	1200	600	2
XJBW 18060/60	1800	600	600	1	XJBW 200120/80	2000	1200	800	2
XJBW 18060/80	1800	600	800	1	XJBW 22060/60	2200	600	600	1
XJBW 18080/40	1800	800	400	1	XJBW 22060/80	2200	600	800	1
XJBW 18080/50	1800	800	500	1	XJBW 22080/60	2200	800	600	1
XJBW 18080/60	1800	800	600	1	XJBW 22080/80	2200	800	800	1
XJBW 180100/40	1800	1000	400	2	XJBW 220100/60	2200	1000	600	2
XJBW 180100/50	1800	1000	500	2	XJBW 220100/80	2200	1000	800	2
XJBW 180100/60	1800	1000	600	2	XJBW 220120/60	2200	1200	600	2
XJBW 180120/40	1800	1200	400	2	XJBW 220120/80	2200	1200	800	2

