

MGSQ Series Current Transformer

Technical Data

Rated Frequency	50/60Hz
Withstand Voltage	AC3kV (1 min)
Rated Thermal Current	60In
Dynamic Current	2.5Ith
Rated Voltage	AC0.72kV
Overload	1.2In
Operating Temperature Range	-10°C~50°C
Shell Flame Retardant Grade	V0
Accurate Limiting Factor	FS 5
Secondary Current	5A, 1A

Standard

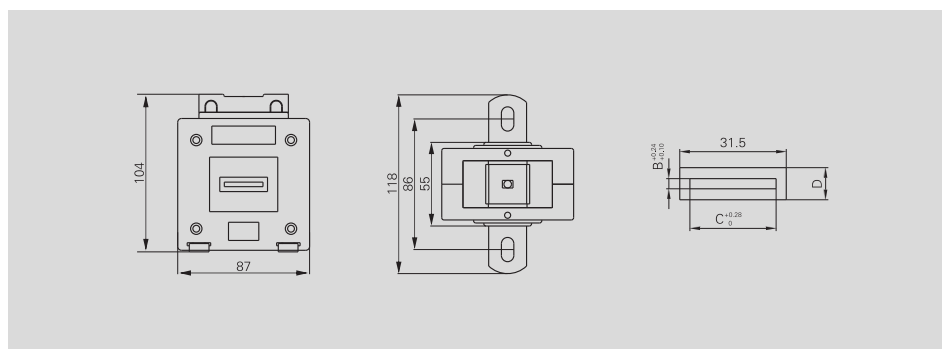
◇ IEC60044-1, EN60044-1, VDE0414-44-1, GB1208-2006.

Pictures	Model	Current ratio	Overload		PCS/CTN
			Classic:0.5	Classic:1.0	

MGSQ-30B



MGSQ-30B	5/5	5	7.5	36
MGSQ-30B	10/5	5	7.5	36
MGSQ-30B	15/5	5	7.5	36
MGSQ-30B	20/5	5	7.5	36
MGSQ-30B	25/5	5	7.5	36
MGSQ-30B	30/5	5	7.5	36
MGSQ-30B	50/5	5	7.5	36
MGSQ-30B	60/5	5	7.5	36
MGSQ-30B	100/5	5	7.5	36
MGSQ-30B	150/5	5	7.5	36
MGSQ-30B	200/5	5	7.5	36
MGSQ-30B	250/5	5	7.5	36
MGSQ-30B	300/5	5	7.5	36



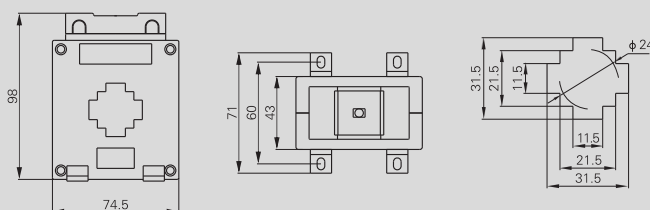
MGSQ Series Current Transformer

Pictures	Model	Current ratio	Overload		PCS/CTN
			Classic:0.5	Classic:1.0	



MGSQ-30

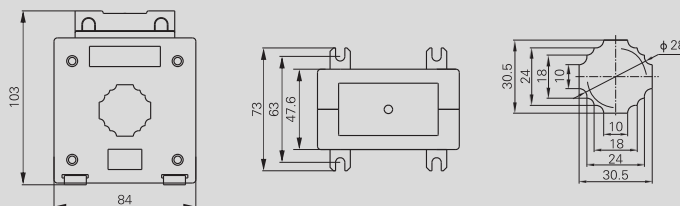
MGSQ-30	30/5	5(10T)	5(10T)	60
MGSQ-30	40/5	5(10T)	5(10T)	60
MGSQ-30	50/5	5(6T)	5(6T)	60
MGSQ-30	60/5	5(5T)	5(5T)	60
MGSQ-30	75/5	5(4T)	5(4T)	60
MGSQ-30	80/5	5(4T)	5(4T)	60
MGSQ-30	100/5	5	5	60
MGSQ-30	150/5	5	5	60
MGSQ-30	200/5	5	5	60
MGSQ-30	250/5	5	7.5	60
MGSQ-30	300/5	10	10	60



MGSQ-30T



MSQ-30T	100/5	5	5	40
MSQ-30T	125/5	5	5	40
MSQ-30T	150/5	5	5	40
MSQ-30T	160/5	5	5	40
MSQ-30T	200/5	5	10	40
MSQ-30T	250/5	10	10	40
MSQ-30T	300/5	10	10	40



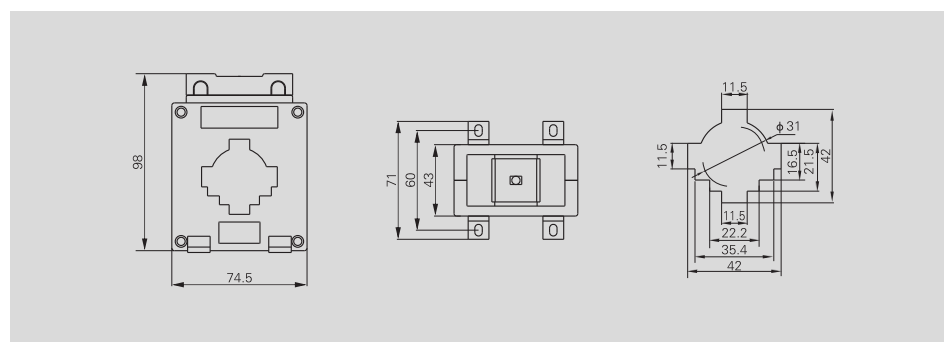
MGSQ Series Current Transformer

Pictures	Model	Current ratio	Overload		PCS/CTN
			Classic:0.5	Classic:1.0	



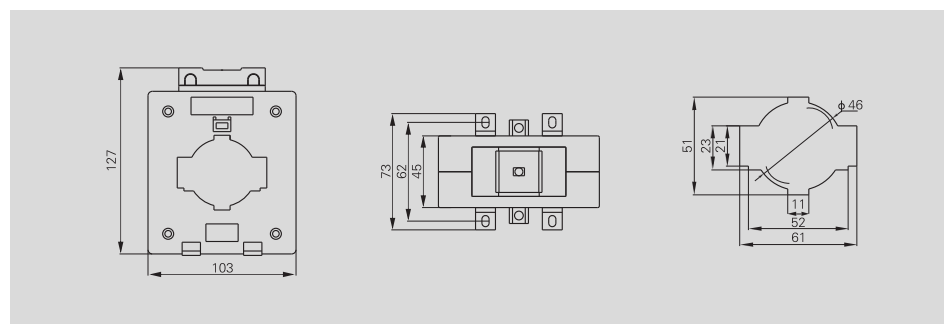
MGSQ-40

MGSQ-40	100/5	5	5	60
MGSQ-40	150/5	5	5	60
MGSQ-40	200/5	5	5	60
MGSQ-40	250/5	5	5	60
MGSQ-40	300/5	5	5	60
MGSQ-40	400/5	5	10	60
MGSQ-40	500/5	5	10	60



MGSQ-60

MGSQ-60	250/5	5	5	32
MGSQ-60	300/5	5	5	32
MGSQ-60	400/5	5	10	32
MGSQ-60	500/5	5	10	32
MGSQ-60	600/5	5	10	32
MGSQ-60	750/5	5	10	32
MGSQ-60	800/5	7.5	10	32
MGSQ-60	1000/5	10	15	32
MGSQ-60	1200/5	10	15	32
MGSQ-60	1500/5	15	15	32
MGSQ-60	1600/5	15	15	32



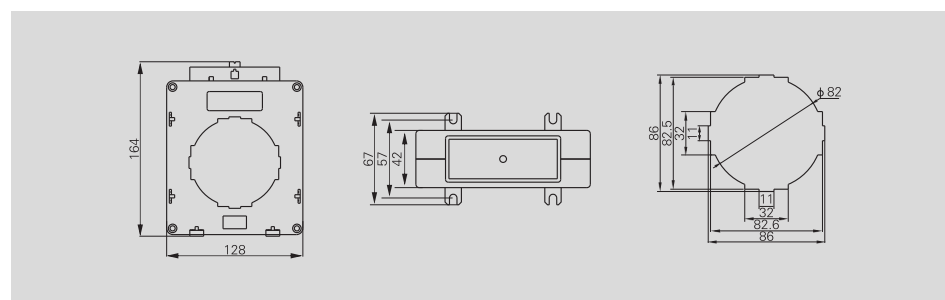
MGSQ Series Current Transformer

Pictures	Model	Current ratio	Overload		PCS/CTN
			Classic:0.5	Classic:1.0	



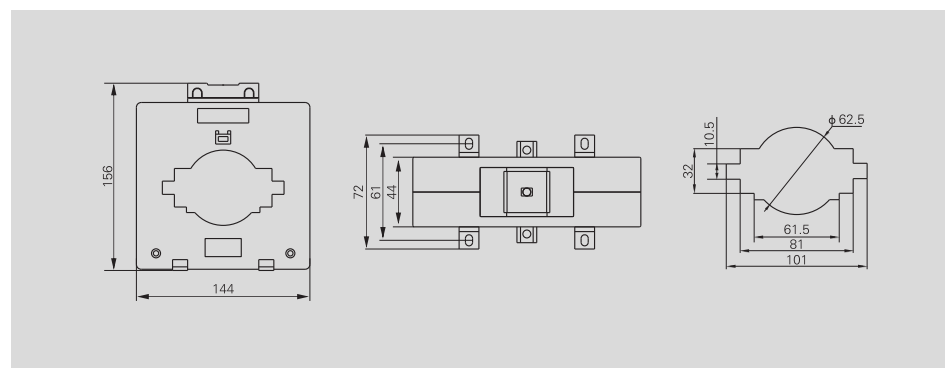
MGSQ-85

MGSQ-85	750/5	5	10	12
MGSQ-85	800/5	5	10	12
MGSQ-85	1000/5	7.5	10	12
MGSQ-85	1200/5	10	15	12
MGSQ-85	1500/5	10	15	12
MGSQ-85	1600/5	10	15	12
MGSQ-85	2000/5	15	15	12



MGSQ-100

MGSQ-100	800/5	5	5	16
MGSQ-100	1000/5	10	10	16
MGSQ-100	1200/5	10	15	16
MGSQ-100	1250/5	10	15	16
MGSQ-100	1500/5	10	15	16
MGSQ-100	1600/5	10	15	16
MGSQ-100	2000/5	10	15	16
MGSQ-100	2500/5	10	15	16
MGSQ-100	3000/5	10	15	16



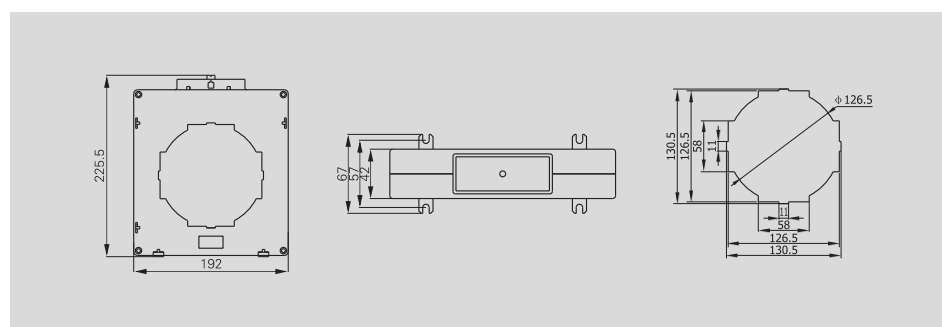
MGSQ Series Current Transformer

Pictures	Model	Current ratio	Overload		PCS/CTN
			Classic:0.5	Classic:1.0	

MGSQ-125



MGSQ-125	1000/5	5	10	10
MGSQ-125	1200/5	7.5	10	10
MGSQ-125	1500/5	10	15	10
MGSQ-125	1600/5	10	15	10
MGSQ-125	2000/5	15	20	10
MGSQ-125	2500/5	15	20	10
MGSQ-125	3000/5	15	20	10
MGSQ-125	4000/5	15	20	10
MGSQ-125	5000/5	20	20	10
MGSQ-125	6000/5	20	20	10



MGES Series Current Transformer

Technical Data

Rated Frequency	50/60Hz
Withstand Voltage	AC3kV (1 min)
Rated Thermal Current	60In
Dynamic Current	2.5Ith
Rated Voltage	AC0.72kV
Overload	1.2In
Operating Temperature Range	-10°C~50°C
Shell Flame Retardant Grade	V0
Accurate Limiting Factor	FS 5
Secondary Current	5A, 1A

Standard

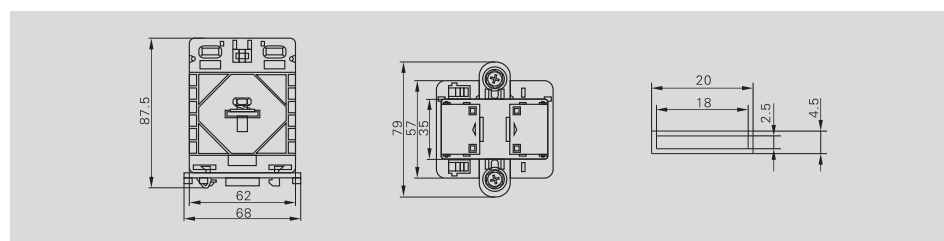
◇ IEC60044-1, EN60044-1, VDE0414-44-1, GB1208-2006.

Pictures	Model	Current ratio	Overload		PCS/CTN
			Classic:0.5	Classic:1.0	

MGES-62/B



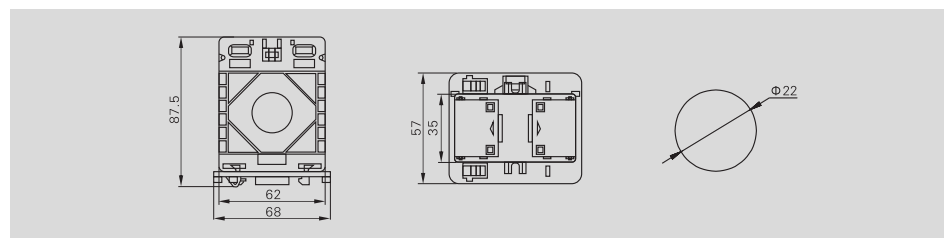
MGES-62/B	5/5	1.5	2.5	40
MGES-62/B	10/5	1.5	2.5	40
MGES-62/B	15/5	1.5	2.5	40
MGES-62/B	20/5	1.5	2.5	40
MGES-62/B	25/5	1.5	2.5	40
MGES-62/B	30/5	1.5	2.5	40
MGES-62/B	40/5	1.5	2.5	40
MGES-62/B	50/5	1.5	2.5	40
MGES-62/B	60/5	1.5	2.5	40
MGES-62/B	75/5	1.5	2.5	40
MGES-62/B	100/5	1.5	2.5	40
MGES-62/B	150/5	1.5	2.5	40



MGES-62/20



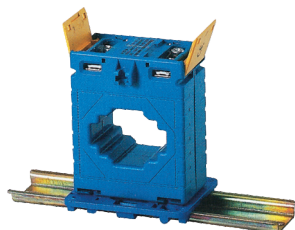
MGES-62/20	30/5	-	2.5 (4T)	60
MGES-62/20	40/5	-	2.5 (3T)	60
MGES-62/20	50/5	-	2.5 (3T)	60
MGES-62/20	60/5	-	2.5 (2T)	60
MGES-62/20	75/5	-	1.5	60
MGES-62/20	80/5	-	2.5	60
MGES-62/20	100/5	1.5	2.5	60
MGES-62/20	150/5	2.5	3.75	60
MGES-62/20	200/5	3.75	5	60



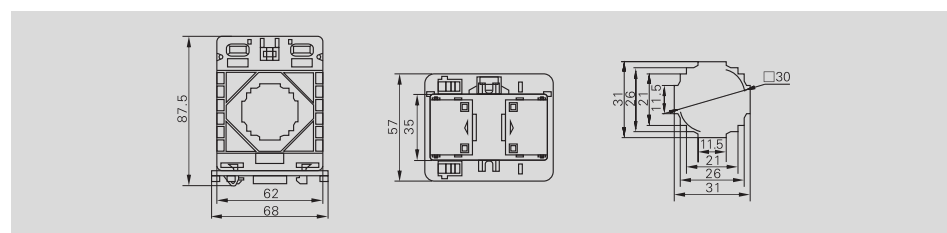
MGES Series Current Transformer

Pictures	Model	Current ratio	Overload		PCS/CTN
			Classic:0.5	Classic:1.0	

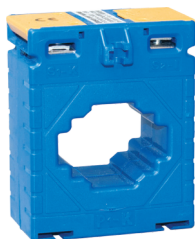
MGES-62/30



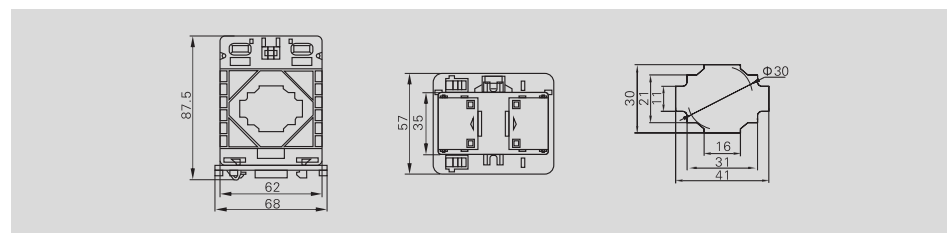
MGES-62/30	30/5	-	2.5 (4T)	60
MGES-62/30	40/5	-	2.5 (3T)	60
MGES-62/30	50/5	-	2.5 (2T)	60
MGES-62/30	60/5	-	2.5 (2T)	60
MGES-62/30	75/5	-	1.5	60
MGES-62/30	100/5	1.5	2.5	60
MGES-62/30	150/5	2.5	3.75	60
MGES-62/30	200/5	3.75	5	60



MGES-62/40



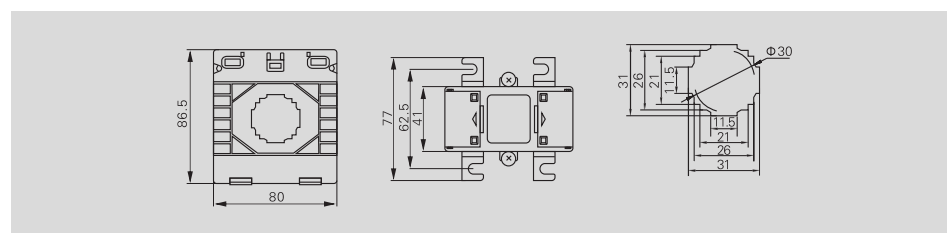
MGES-62/40	60/5	-	1.5 (2T)	60
MGES-62/40	75/5	-	1.5 (2T)	60
MGES-62/40	100/5	-	1.5	60
MGES-62/40	150/5	-	2.5	60
MGES-62/40	200/5	2.5	3.75	60
MGES-62/40	250/5	2.5	3.75	60
MGES-62/40	300/5	3.75	5	60



MGES-80/30



MGES-80/30	30/5	-	2.5 (4T)	40
MGES-80/30	50/5	-	2.5 (2T)	40
MGES-80/30	60/5	-	2.5 (2T)	40
MGES-80/30	75/5	-	1.5	40
MGES-80/30	100/5	-	2.5	40
MGES-80/30	150/5	2.5	3.75	40
MGES-80/30	200/5	3.75	5	40



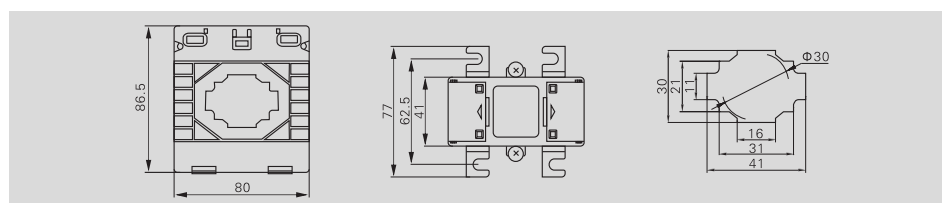
MGES Series Current Transformer

Pictures	Model	Current ratio	Overload		PCS/CTN
			Classic:0.5	Classic:1.0	

MGES-80/40



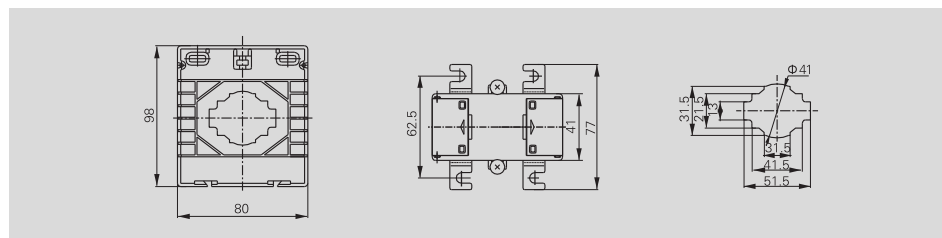
MGES-80/40	100/5	-	2.5	40
MGES-80/40	150/5	2.5	3.75	40
MGES-80/40	200/5	3.75	5	40
MGES-80/40	250/5	3.75	5	40
MGES-80/40	300/5	5	5	40
MGES-80/40	400/5	5	10	40
MGES-80/40	500/5	5	10	40



MGES-80/50



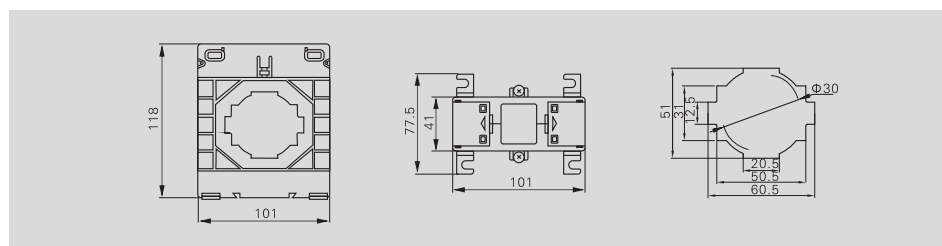
MGES-80/50	250/5	3.75	5	32
MGES-80/50	300/5	5	7.5	32
MGES-80/50	400/5	5	7.5	32
MGES-80/50	500/5	5	7.5	32
MGES-80/50	600/5	10	15	32
MGES-80/50	750/5	10	15	32
MGES-80/50	800/5	10	15	32
MGES-80/50	1000/5	10	15	32



MGES-100/60



MGES-100/60	400/5	3.75	5	32
MGES-100/60	500/5	5	10	32
MGES-100/60	600/5	10	15	32
MGES-100/60	750/5	10	15	32
MGES-100/60	800/5	10	15	32
MGES-100/60	1000/5	10	20	32
MGES-100/60	1200/5	15	20	32
MGES-100/60	1500/5	15	20	32
MGES-100/60	1600/5	15	20	32



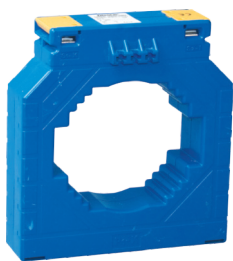
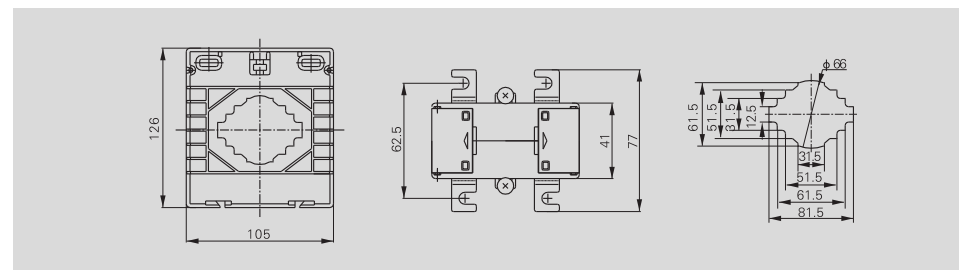
MGES Series Current Transformer

Pictures	Model	Current ratio	Overload		PCS/CTN
			Classic:0.5	Classic:1.0	



MGES-100/80

MES-100/80 MGES-80/40	600	10	15	60
MES-100/80	750	10	15	60
MES-100/80	800	10	15	60
MES-100/80	1000	15	20	60
MES-100/80	1200	15	20	60
MES-100/80	1250	15	20	60
MES-100/80	1500	15	20	60
MES-100/80	1600	15	20	60
MES-100/80	2000/5	15	20	60



MGES-145/100

MES-145/100	800/5	15	20	30
MES-145/100	1000/5	15	20	30
MES-145/100	1200/5	15	20	30
MES-145/100	1250/5	15	20	30
MES-145/100	1500/5	15	20	30
MES-145/100	1600/5	15	20	30
MES-145/100	2000/5	15	25	30
MES-145/100	2500/5	15	25	30
MES-145/100	3000/5	15	25	30

