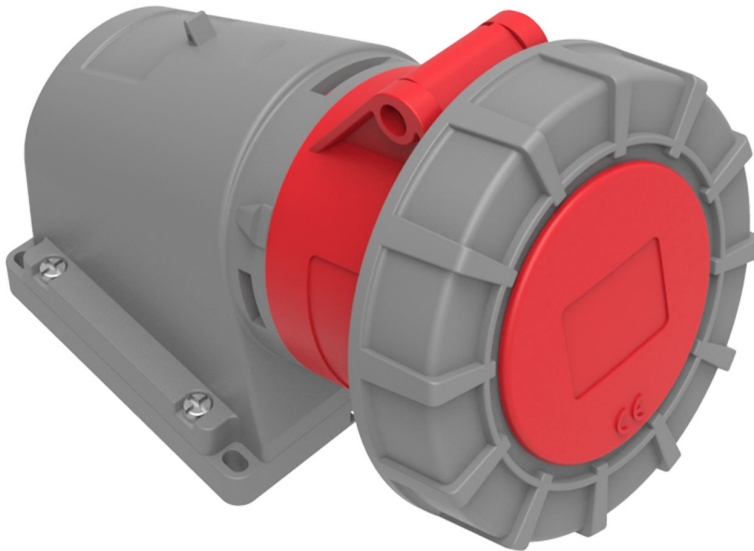
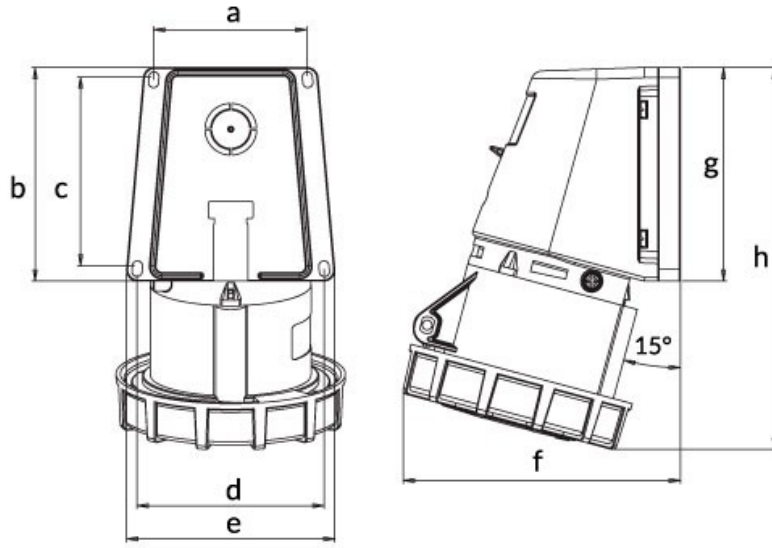


90° Angled Surface Socket

| | |
|----------------------|---------------|
| Product Code : | BC1-3505-7535 |
| Barcode : | 8698523907740 |
| IP Class : | IP67 |
| Ampere : | 32A |
| Volt : | 380V-450V |
| Hertz : | 50Hz - 60Hz |
| Pole : | 3P+E+N |
| Body Material : | Polyamid 6 |
| Conductor Material : | MS 58 |
| Gram : | - |
| Box : | 3 |
| Package : | 54 |





Ölçüler / Dimensions (mm)

| | | | |
|---|----|---|-----|
| a | 68 | e | 93 |
| b | 95 | f | 123 |
| c | 84 | g | 95 |
| d | 83 | h | 170 |