


Digital Counters



| Cat. No. | Z72FBA | ZJ2FBX | ZH2FBX |
|---------------------------|---|----------------|-------------|
| Parameters | | | |
| Supply Voltage (±) | 85 - 265 VAC | 12 - 48 VAC/DC | 10 - 80 VDC |
| Frequency | 50/60 Hz | 50/60 Hz | N A |
| Power Consumption (Max.) | 0.8 VA | 0.4 W | 0.6 W |
| Counting frequency | 10Hz | 10Hz | 30Hz |
| Maximum Range | 999999 | | |
| Display | Large 6-Digit display, easy to read | | |
| Resolution | 1 Count | | |
| Reset | Electrical | | |
| Memory Retention | 100 Years | | |
| Operating Temperature | - 10° C to +50° C | | |
| Storage Temperature | - 20° C to +65° C | | |
| Accuracy | ± 1 Count | | |
| Humidity (Non Condensing) | 95% (Rh) | | |
| Degree of Protection | IP54 | | |
| Enclosure | UL94-V0 | | |
| Terminals | 1 & 2: Input Supply, 3: Count 4: Reset | | |
| Panel cut outs | Round Bezel, 24 x 48 Bezel, Screw Mount Bezel | | |
| Mounting | Flush/ Panel Mounting | | |
| Certification |  | | |
| Weight (unpacked) | With Round Bezel - 35g, with 24 x 48 Bezel - 29 g, with Screw Mount Bezel - 31 g | | |

EMI / EMC

| | |
|-----------------------------------|----------------|
| Harmonic Current Emissions | IEC 61000-3-2 |
| ESD | IEC 61000-4-2 |
| Radiated Susceptibility | IEC 61000-4-3 |
| Electrical Fast Transients | IEC 61000-4-4 |
| Surges | IEC 61000-4-5 |
| Conducted Susceptibility | IEC 61000-4-6 |
| Voltage Dips & Interruptions (AC) | IEC 61000-4-11 |
| Conducted Emission | CISPR 14-1 |
| Radiated Emission | CISPR 14-1 |

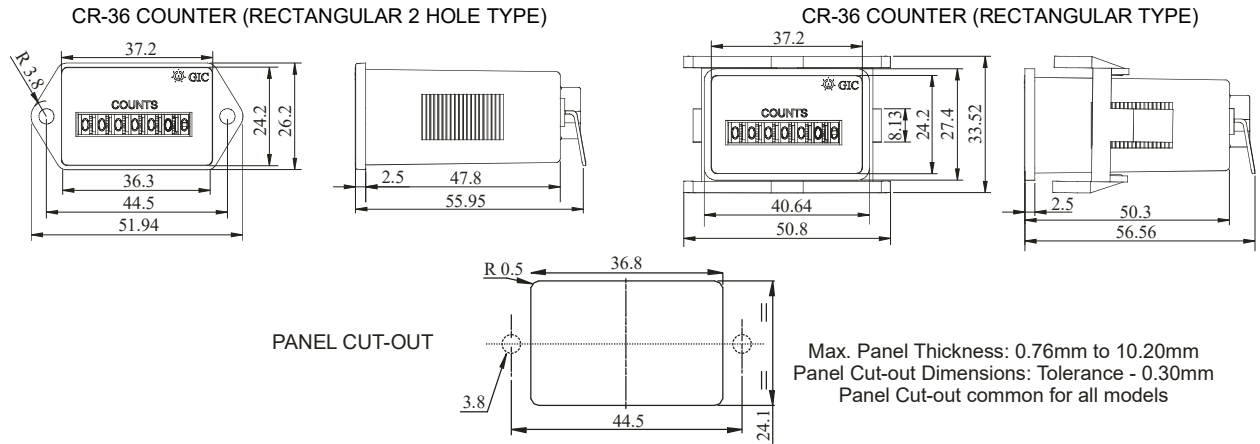
Environmental

| | |
|----------------------|----------------|
| Cold Heat | IEC 60068-2-1 |
| Dry Heat | IEC 60068-2-2 |
| Vibration | IEC 60068-2-6 |
| Repetitive Shock | IEC 60068-2-27 |
| Non-Repetitive Shock | IEC 60068-2-27 |

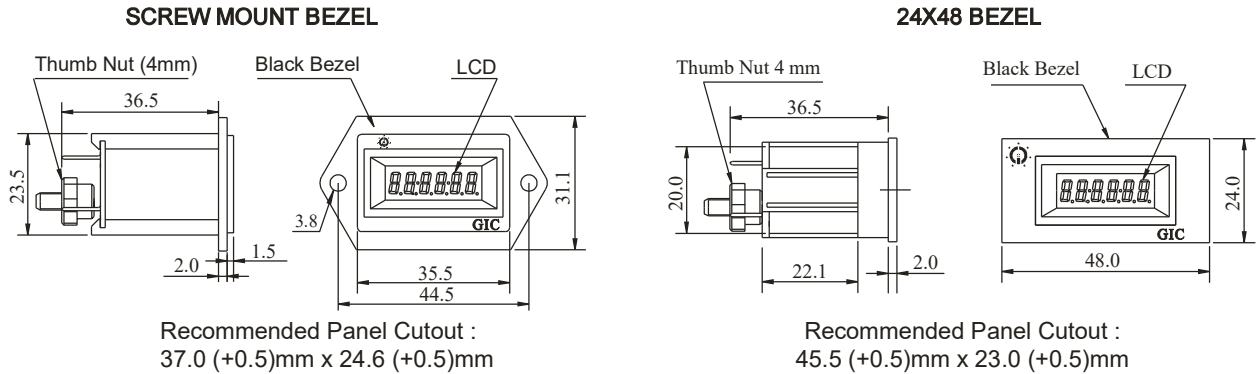
Impulse Counter Series CR 36 & Digital Counter

MOUNTING DIMENSIONS (mm)

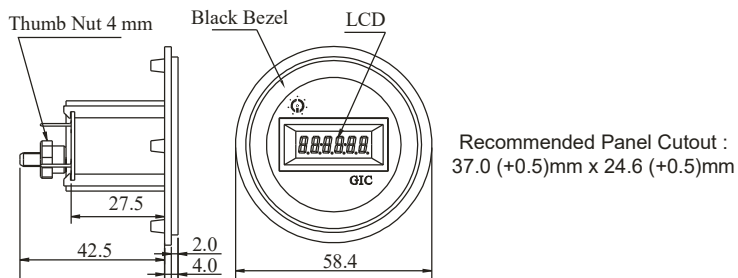
IMPULSE COUNTER CR 36



DIGITAL COUNTER



ROUND BEZEL



CONNECTION DIAGRAM

