

LIMIT SWITCH

Application

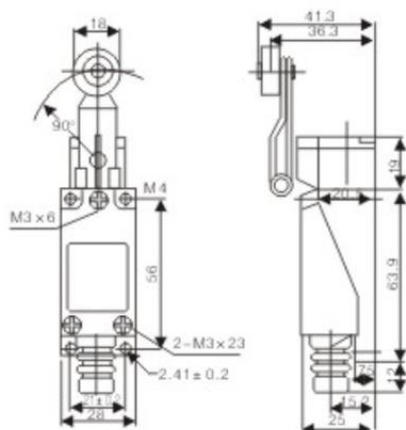
Limit switches are ideal electrical control switches in mechanical and other industries. They are applicable to circuits of 50/60Hz, with voltage up to 500VAC or DC control circuits with a voltage up to 600V, and could convert a mechanical signal into an electrical signal for the purpose of controlling mechanical movement or performing sequential control.

Technical Data - TZ range 5A

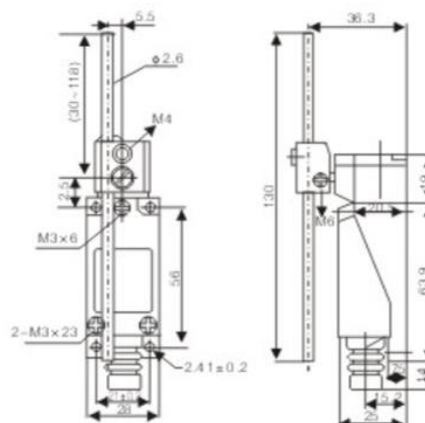
Operating speed	5mm to 50cm/s
Operating frequency	120 operations/min
Initial Contact resistance	15mΩ max
Insulation resistance	100mΩ min. (at 500VDC)
Dielectric strength	1000VAC, 50/60Hz for 1 minute between non-continuous terminals; 1500VAC, 50/60Hz for 1 minute between current-carrying and non-current-carrying parts and between each terminal and ground
Vibration	10 to 55Hz, 1.5mm double amplitude
Shock	Approx. 300m/s ² (approx. 30G's)
Ambient temperature	Operating: -20 to +60°C
Humidity	< 95%
Service life	Mechanical - 10,000,000 operations min. Electrical - 500,000 operations min.
Weight	Approx. 130 to 190g
Degree of protection	IEC IP65

Outline and Dimension - TZ range 5A

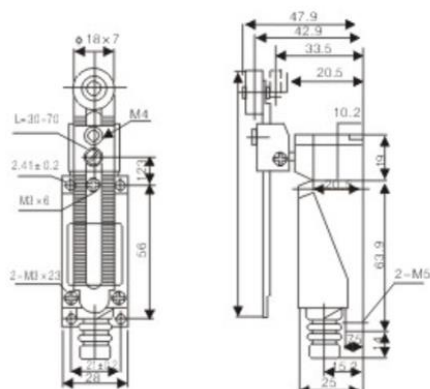
TZ-8104



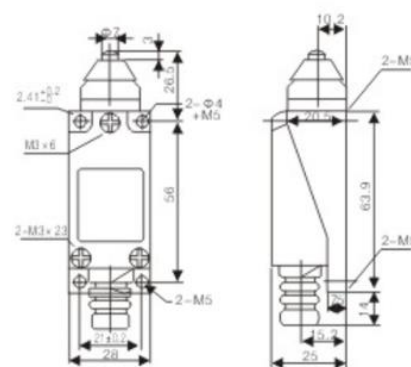
TZ-8107



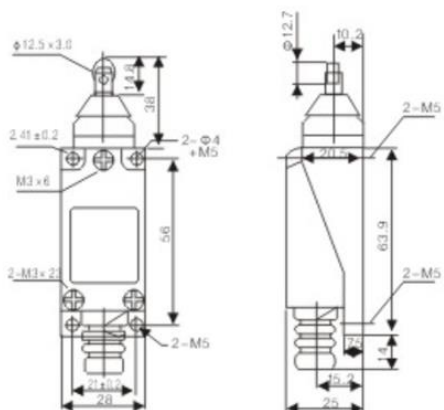
TZ-8108



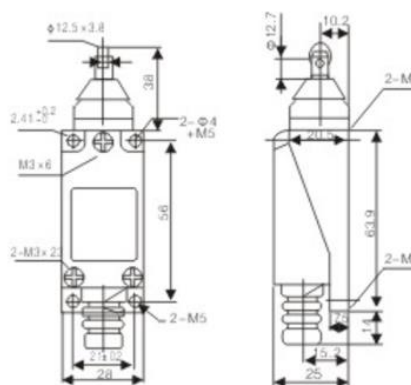
TZ-8111



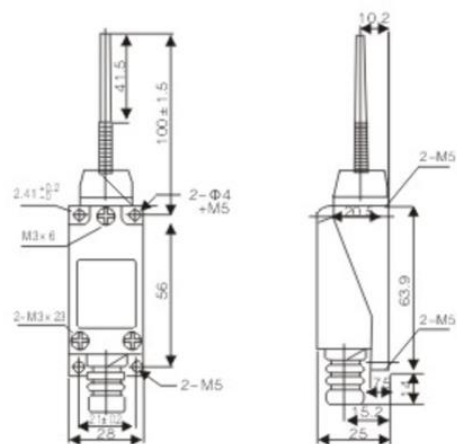
TZ-8112



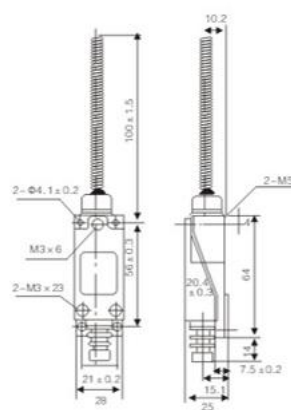
TZ-8122



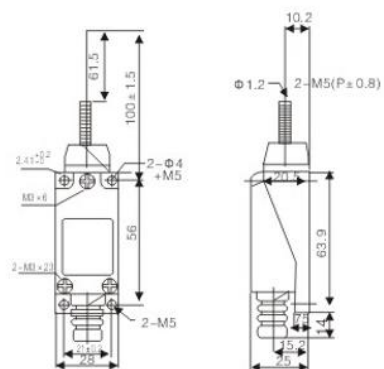
TZ-8166



TZ-8167

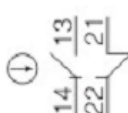


TZ-8169



Operating characteristics Type	TZ-8104	TZ-8108	TZ-8107	TZ-8111	TZ-8112 TZ-8122	IZ-8166 TZ-8167
OF max.	750g	750g	750g	900g	900g	150g
RF min.	100g	100g	100g	150g	150g	-
PT max.	20	20	20	1.5mm	1.5mm	30mm
OT min.	50	50	50	4mm	4mm	-
MDmax.	12	12	12	1mm	1mm	-
OP	-	-	-	26 ± 0.8mm	37 ± 0.8mm	-

Technical Data - YXCK range 3A

2-pole contact terminal, quick 	Metal head directacting type	Metal steel roller directacting type	Metal thermoplastic roller tumbler directacting type	Adjustable length and thermoplastic roller tumbler type	Metal thermoplastic cylindrical tumbler type Diameter=6mm length=200mm	Thermoplastic roller tumbler directacting type, single direction with horizontal movement	Multidirection type
Mechanical life (million times)	30	25	30	30	30	15	30
Motion speed(m/s)	0.5	1	1.5	1.5	1.5	1	1.5
Protection degree	IP65						
Rated work characters	ALTIPAK AC 15; A 300(Ue=240V, Le=3A) ALTIVAR DC 13; Q 300(UE=250V, LE=0.27A)						
Boundary dimensions:	41*41*77						
Complete switch (2 poles 1 N/C+1 N/O, quick)	YXCK-J161 YXCK-J1161	YXCK-J167	YXCK-J10511 YXCK-J10531	YXCK-J10541	YXCK-J10559	YXCK-J121	YXCK-J108

Outline and Dimension - YXCK range

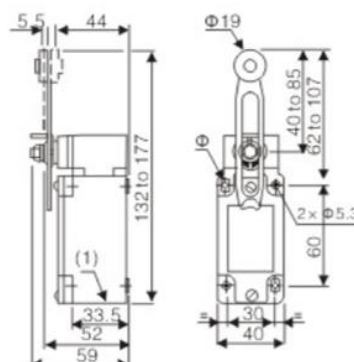
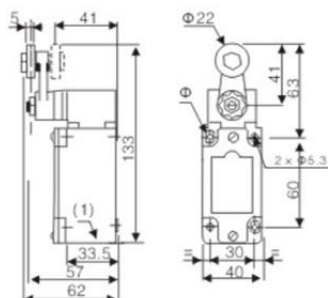
YXCK-J10531M

YXCK-J10531
original code was YXCK-J10511

YXCK-J10541

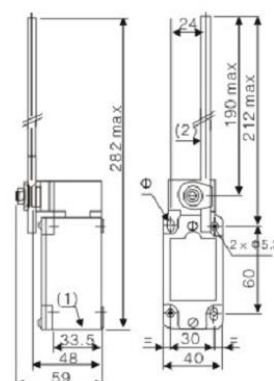
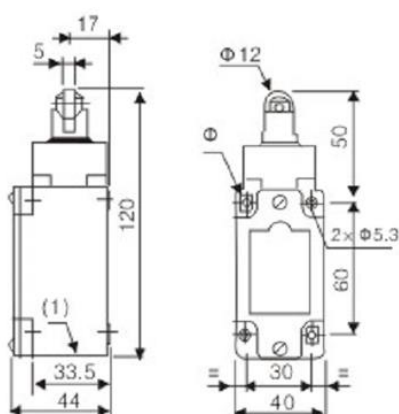


same shape as J10531M but with plastic roll



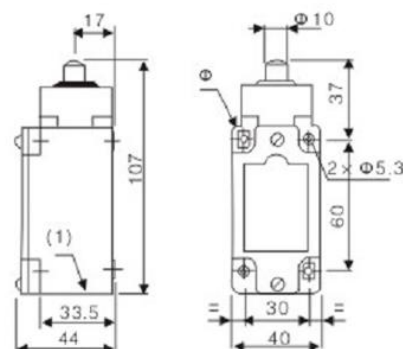
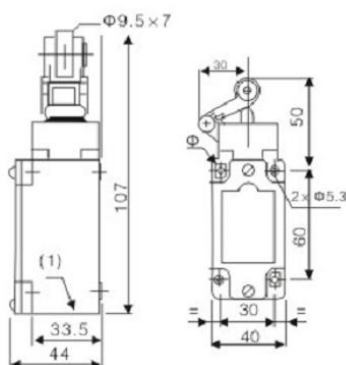
YXCK-J167

YXCK-J10559



YXCK-J121

YXCK-J161



YXCK-J108

ZCK M1ZCKD15

