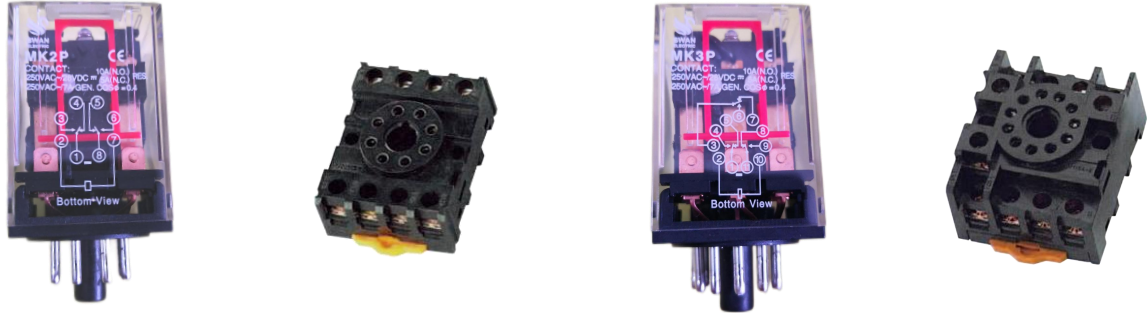


RELAY

MK2P 8PIN/MK3P 11PIN



DESCRIPTION / FEATURES

- 10A Contact operating capacity
- Mechanical life \geq 100000
- With 2Z,3Z contact models
- Standard tube terminal
- With matched socket

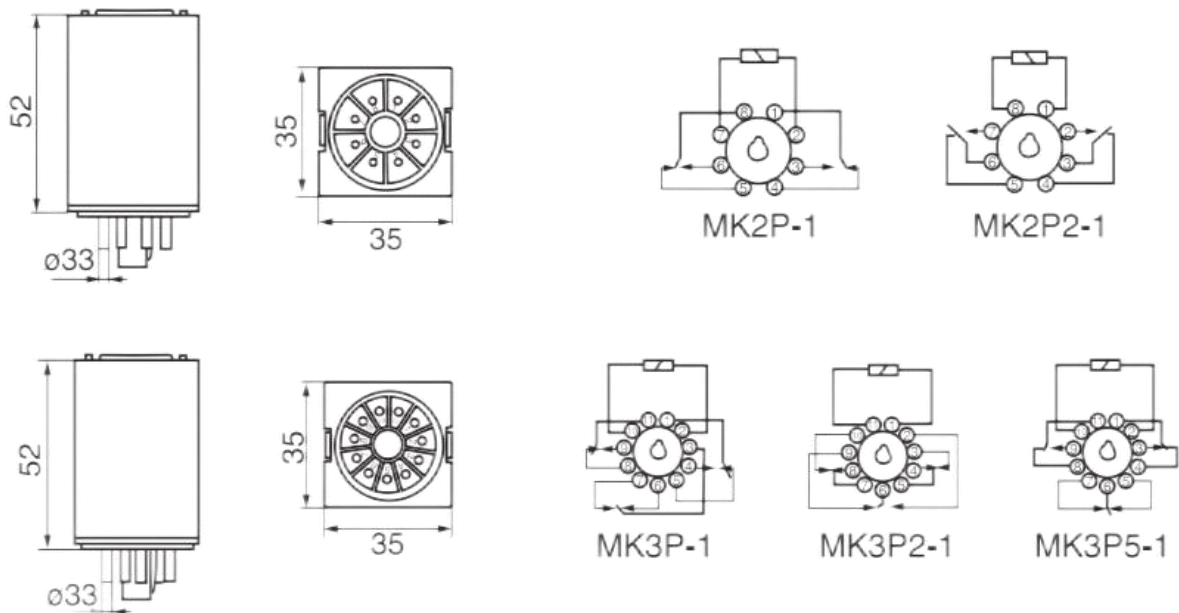
MAIN TECHNICAL DATA

Contact Ratings	2z	3z
Contact Resistance	50m Ω (1A 6VDC)	50m Ω (1A 6VDC)
Contact capacity	10A	10A/5A(NO/NC)
	28VDC/250VAC	28VDC/250VAC

Specification		
Insulation Resistance	500M Ω , 500VDC	
Dielectric Strength	Between coil and contacts	1,000 VAC at 50/60 Hz for 1 min.
	Between contacts of the same polarity	1,500 VAC at 50/60 Hz for 1 min.

Operation time	AC: 20 ms max., DC: 30 ms max.		
Coil Ratings			
Rated Coil Power	1.5W/2.5VAC		
Rated Voltage VDC	Pull-in Voltage VDC	Release Voltage VDC	Coil Resistance Ω:\pm10%
6	4.8	0.6	24
12	9.6	1.2	96
24	19.2	2.4	384
48	38.4	4.8	1540
100	80.0	10.0	9600
110	88.0	11.0	9650
Rated Voltage VAC	Pull-in Voltage VAC	Release Voltage VAC	Coil Resistance Ω:\pm10%
6	4.8	1.8	5.5
12	9.6	3.6	21.5
24	19.2	7.2	72.0
48	38.4	11.4	420
110/120	88.0	36.0	1512
220/240	176.0	72.0	6050/7200

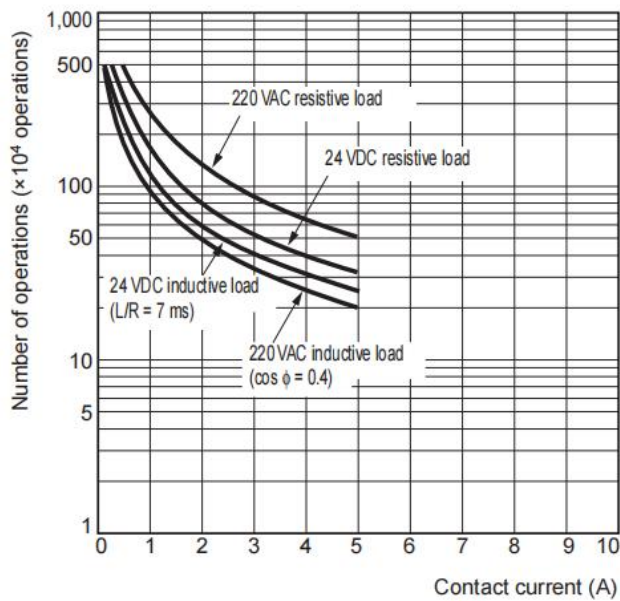
DIMENSIONS AND MOUNTING



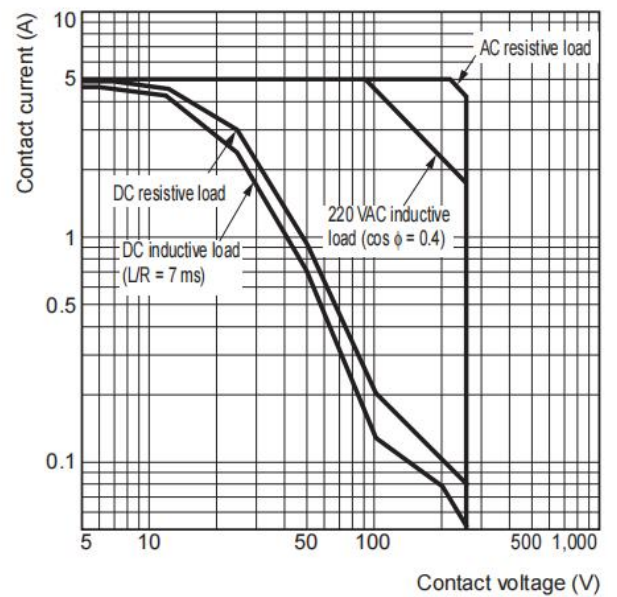
ENGINEERING DATA

MK2P

Endurance Curve

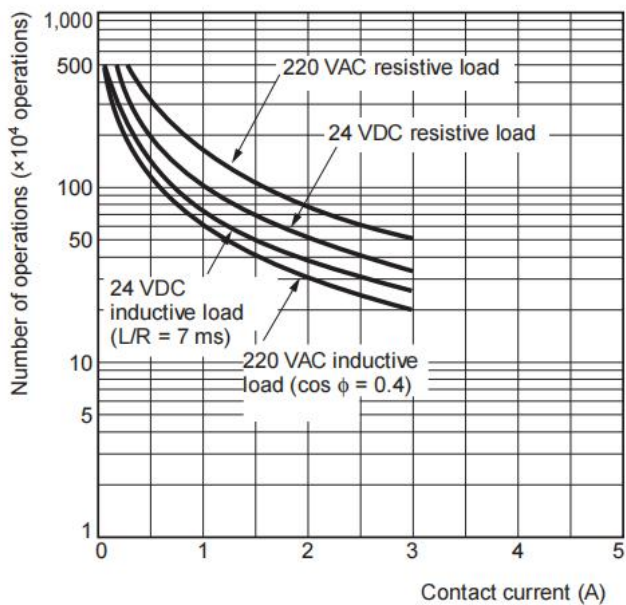


Maximum Switching Capacity



MK3P

Endurance Curve



Maximum Switching Capacity

