

# LED STROBE LIGHT



## DESCRIPTION / APPLICATION



Visual Signalling and warning device for industrial or production equipment.

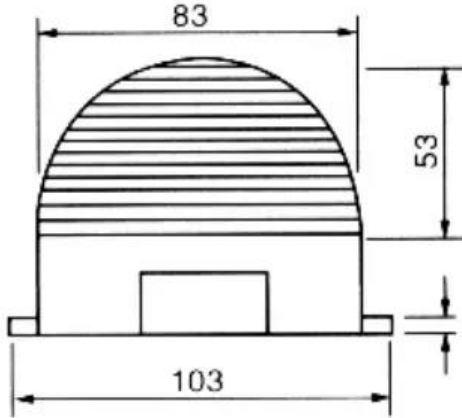
## TECHNICAL SPECIFICATIONS

VOLTAGE	Available in : DC12 V, DC 24V, AC 110V, AC 220V, AC 380V
POWER CONSUMPTION	2W
LAMP TYPE	LED
CASING MATERIAL	Plastic ABS for the base and PC for the cover
FIXING / MOUNTING	Screw or Magnet
PROTECTION CLASS	IP45 ( protected against 1mm solids and limited water jets )
COLOUR	Available in : Red, Blue, Yellow or Green
OUTPUT FUNCTION	Available in : Continuous, flashing, Continuous Buzzer, Alternating Buzzer

## PART NUMBER EXAMPLE

BASE NUMBER	VOLTAGE	MOUNT	COLOUR	MODE
LTE-3072	AC220	S for screw M for magnet	RD for red BL for blue YL for yellow GR for green	C for Continuous F for flash B for buzzer AB for Alternating buzzer
<b>EXAMPLE</b>	<b>LTE-3072-AC220-S-RD-C</b>			

**DIMENSIONS ( mm )**

<p><b>SIDE VIEW</b></p>	
<p><b>TOP VIEW</b></p>	