



QUALITY COME FROM SPECIALITY

welcome to our website

PRODUCTS

Bridge rectifier

BRIDGE RECTIFIER SERIES

Features

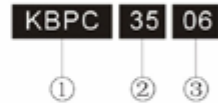
- Current:5A-300A
- Voltage:100v-1600v
- Small General outline Vacuum Weld Technics
- GPP CELL Diode Chip
- GOOD POWER/volume
- High temp conduct packing

Typical Applicatons

- Rectificate power
- Automate Control
- Numerical Control Machinery

Ordering information Table

Device Code



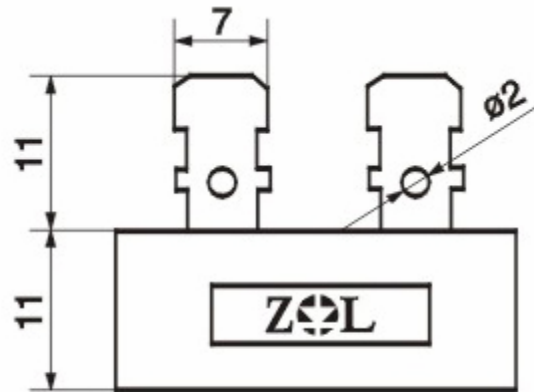
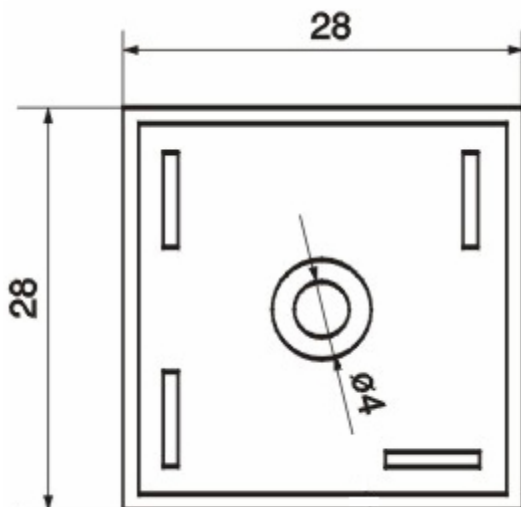
1.ZENLI bridge rectifier KBPC、QL=Single phase SQL=3-phase bridge

2.Id value:DC out current

3.Code×100=VRRM



TYPE	Id@TA=55□ At Half-wave Res Losd50Hz A	VRRM @TA=25□ V	IRRM @TA=25□ mA	IFM	VFM	Insulate Voltg V	Tj □	Weight g	Outline (Fig)
				@TA=25□					
				A	V				
KBPC5 ~35A	5-35	100-1200	≤5	Id/2	≤1.3	2500	-40□ ~+150□	30	BR-1



BR-1