

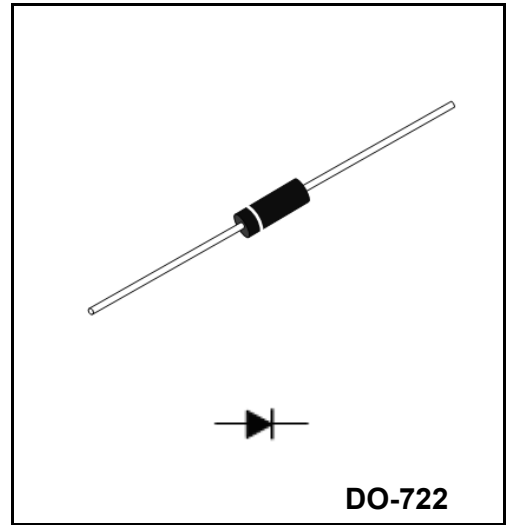
High voltage silicon diodes

Reverse Voltage – 12kV

Forward Current –350mA

FEATURES

◆High reliability



MECHANICAL DATA

◆Case: Molded Plastic Body

◆Epoxy meets UL 94V-0 flammability rating

◆Terminals: Pure tin plated leads, solderable per J-STD-002 and JESD22-B102, E3 suffix for consumer grade, meet JESD201class 1A whisker test.

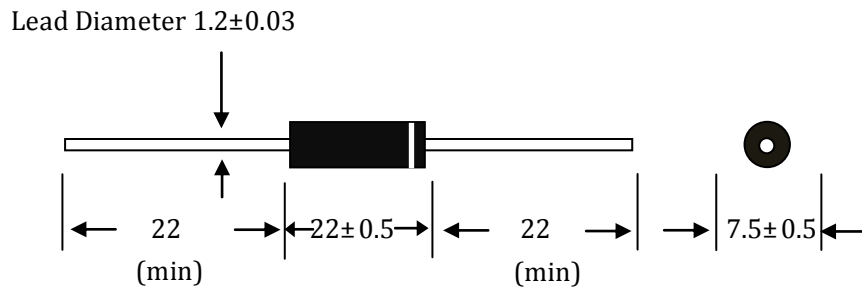
◆Polarity: Color band denotes cathode end

Maximum rating (Ta=25°C unless otherwise noted)

Parameter		Symbol	HVM12	Unit
Repetitive peak reverse voltage		V_{RRM}	12	KV
Average forward current	60Hz half-sine wave, Resistance load, Ta≤60°C	$I_{F(AV)}$	350	mA
Surge(Non-repetitive)forward current	60Hz half-sine wave, 1cycle, Ta=25°C	I_{FSM}	30	A
Reverse surge current	Wp=1ms, Rectangular-wave, One-shot, Ta=25°C	I_{RSM}	100	mA
Peak forward voltage	$I_{FM}=350mA$	V_{FM}	≤14	V
Peak reverse current $V_{RM}=V_{RRM}$		I_{RRM1}	≤5	μA
Avalanche breakdown voltage	$I_R=100\mu A$	$V_{(BR)}$	≥12.5	KV
Storage Temperature Range		T_{stg}	-40 ~ +130	°C
Virtual junction temperature		$T_{(vj)}$	130	°C

Notes :Cooling Requirement: Cathode terminal is fastened to radiating fin that size is more than 50mm×50mm×0.6mm
Wind-cooled velocity is more than 0.5m/s.

Package outline dimensions



Summary of Packing Options

Package	Packing Description	Packing Quantity	Industry Standard
DO-722	BOX	5000	EIA-481-1