

## EUROSTYLE P.C.B. TERMINAL BLOCK

E133988(R)

**ETB09 SERIES**

**WIRE PROTECTOR, RIGHT ANGLE TYPE**

**PITCH=3.5 / 7.0mm**

### FEATURES

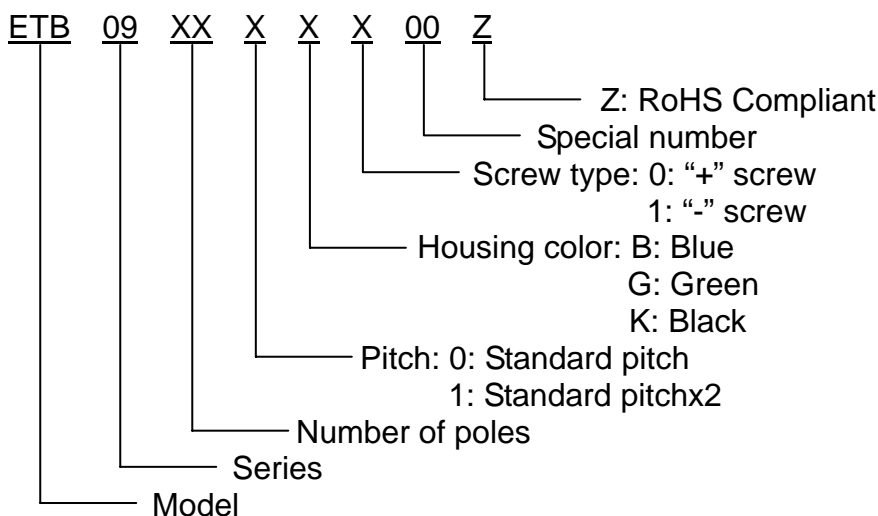
- Easy to assemble for any number of positions
- End stackable without any loss of P.C.B. space
- Special wire protector design to ensure reliable wire clamping
- UL 94V-0 grade fire retardant engineering plastic used for the housing
- Be capable of clamping a wide range of wire diameters
- Compact size for P.C.B.

### SPECIFICATIONS

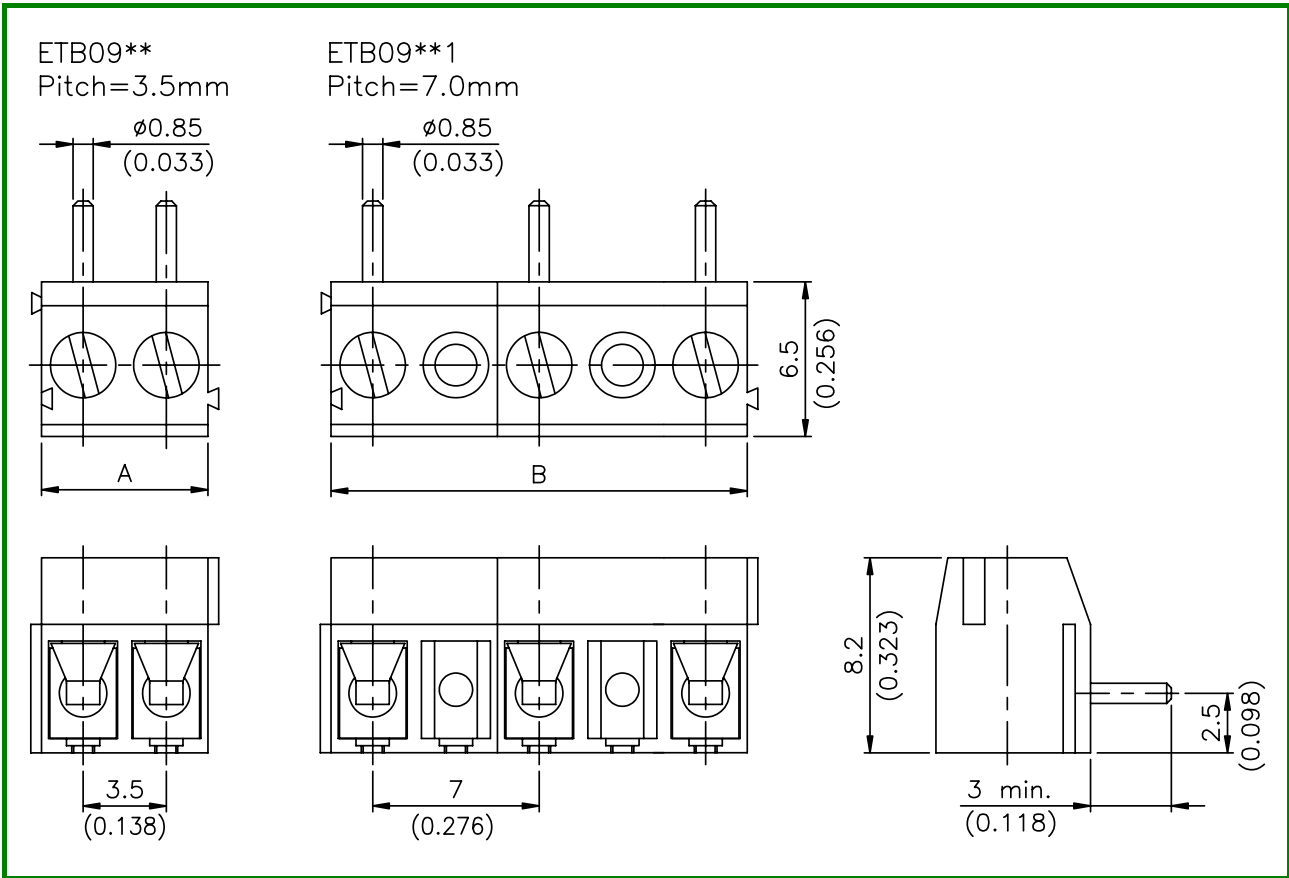
- Pitch 3.5mm, 7.0mm
- Wire range 28~18 AWG (0.75mm<sup>2</sup>)
- No. of pole per block 2P or 3P
- Rating 10 Amp, 125 VAC
- Housing PA66
- Terminals Tin plated over Zinc Alloy
- Screws M2.0x0.4P, Zinc plated over Steel
- Wire protector Stainless Steel
- Torque 0.2 N-m (1.7 lb-in) (tested by manual torque screwdriver)
- Operating temperature -30°C ~ +110°C  
(includes temperature rise limit)
- Stripping length 4.5mm
- UL Approval 125V, 10A, 28~18 AWG



### PART NUMBERING SYSTEM



## ■ DRAWING



POLE DIM.	2	3	4	5	6	7	8	9	10	11	12	13
A	7.0 (0.276)	10.5 (0.413)	14.0 (0.551)	17.5 (0.689)	21.0 (0.827)	24.5 (0.965)	28.0 (1.102)	31.5 (1.240)	35.0 (1.378)	38.5 (1.516)	42.0 (1.654)	45.5 (1.791)
B	10.5 (0.413)	17.5 (0.689)	24.5 (0.965)	31.5 (1.240)	38.5 (1.516)	45.5 (1.791)	52.5 (2.067)	59.5 (2.343)	66.5 (2.618)	73.5 (2.894)	80.5 (3.169)	
POLE DIM.	14	15	16	17	18	19	20	21	22	23	24	
A	49.0 (1.929)	52.5 (2.067)	56.0 (2.205)	59.5 (2.343)	63.0 (2.480)	66.5 (2.618)	70.0 (2.756)	73.5 (2.894)	77.0 (3.031)	80.5 (3.169)	84.0 (3.307)	