

## Self Drive Piezo Transducer

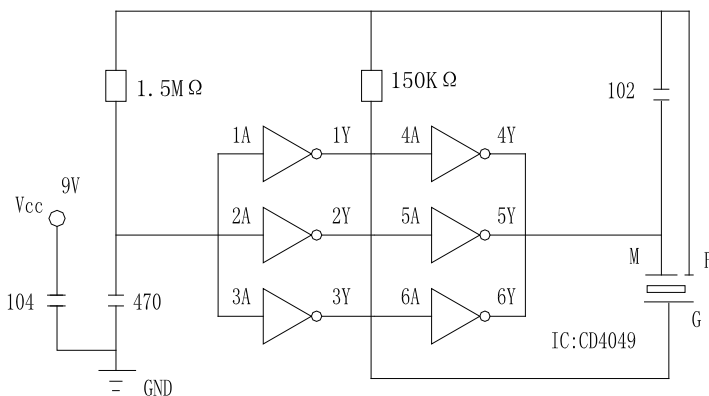
### DTS3916 series

### Model : DTS3916-33-9P

#### Electrical Specifications

Operating Voltage	4.5 ~ 15Vp-p
Rated Voltage	9Vp-p (Square Wave)
Rated Current	Max. 15mA
Sound Output	Min. 90dB , 30cm
Resonant Frequency	3300 +/- 300Hz
Operating Temperature	-20 ~ +60°C
Colour	Black
Housing Material	Noryl
Weight	11g
Environmental Protection Regulation	RoHS

#### Recommended Circuit



#### Dimensions in mm

