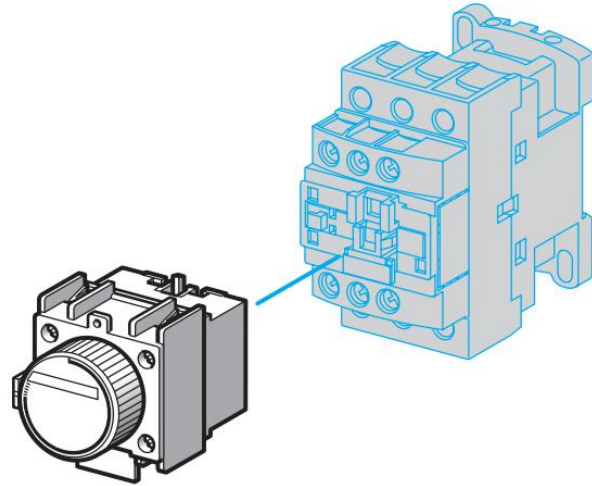


# TIME DELAY AUXILIARY CONTACT BLOCK CODT2/CODT4



## DESCRIPTION / APPLICATION

**CODT2** time delay auxiliary contact blocks for connection by screw clamp terminals. 1NO + 1NC, on delay 0.1-30s, front.

**CODT4** time delay auxiliary contact blocks for connection by screw clamp terminals. 1NO + 1NC, on delay 10-180s, front.

It is an accessory of AC contactor or contactor relay, which can be connected to them to connect and disconnect the circuit at a predetermined time.

## MAIN TECHNICAL DATA

Standards	IEC60947-5-1
Rated insulation voltage(Ui)	660V
Conventional free air thermal current(Ith)	10 A
Pole contact composition	1NO+1NC
Mounting location	Front
Contacts operation	Time delay
Timer type	On delay
Time delay range	0.1...30s/10...180s