

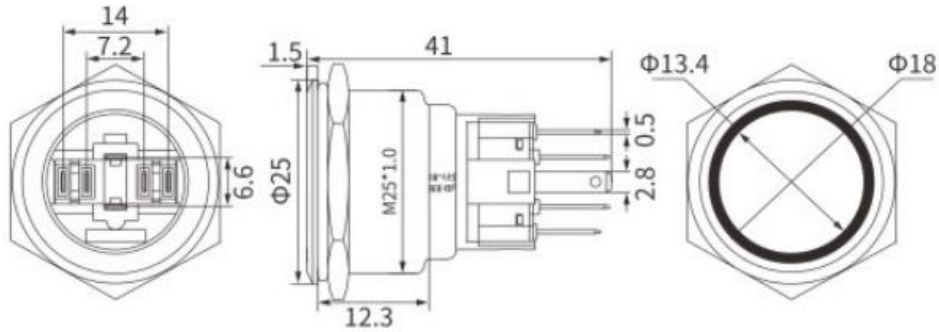
## PUSH BUTTON STEEL ILLUM



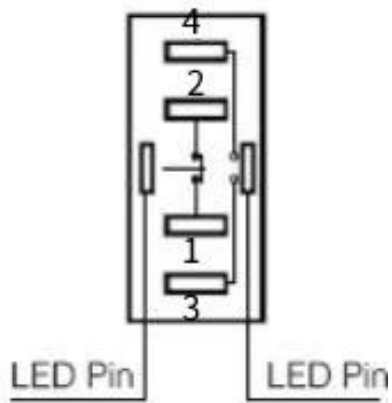
### MAIN TECHNICAL DATA

Model No.	GQ22-11E Flat Round (D22B-263/D22B-363)
Material	Stainless Steel
Switch Rating	5A / 250V AC
Mounting Diameter	22mm
Contact Configuration	1NO 1NC
Operation Type	Momentary, Latching
Terminal	6 pin terminal
IP Degree	IP65
LED color	Green, red, white, yellow, etc
LED voltage	24V(Other voltage:1.8V to 250V)

## DIMENSIONS



## TERMINAL ARRANGEMENT



1,2,3,4 are one set;  
 1,2 are normal closed(NC);  
 3,4 are normal opened(NO).  
 The lamp and switch are relatively independent and can use switch or peripheral circuit to control the lamp state.