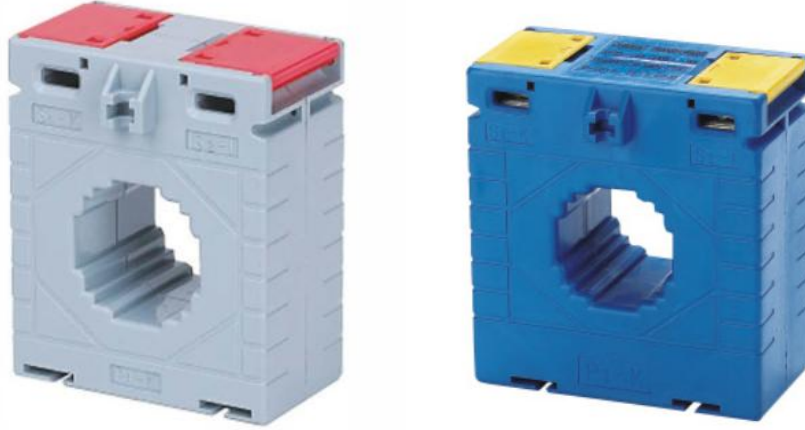


## Current Transformer



### DESCRIPTION / APPLICATION

Current Transformer (CT) is used to transform the high AC current to small easily manageable values. It can be applied to test, control, display and record the running of the electrical equipment against the damage. It conforms to IEC 60044-1 standard.

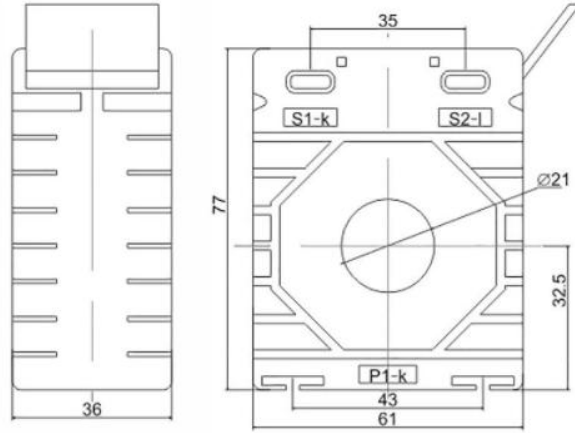
### MAIN TECHNICAL DATA

Model	Rated current (A)	Rated burden (VA)	Accuracy	Rated Voltage (V)	Rated Frequency (HZ)
MES-62/20	30/5A-300/5A	1.5-2.5	3.0-0.5	720	50/60
MES-62/30	100/5A-300/5A	1.5-5	1.0-0.5	720	50/60
MES-62/40	200/5A-600/5A	5~10	1.0-0.5	720	50/60
MES-74/40	150/5A-800/5A	2.5-20	1.0-0.5	720	50/60
MES-74/50	250/5A-1000/5A	5~20	1.0-0.5	720	50/60
MES-86/60	250/5A-1200/5A	5~30	1.0-0.5	720	50/60
MES-104/80	600/5A-2000/5A	5~45	1.0-0.5	720	50/60
MES-140/100	1000/5A-3200/5A	5~50	1.0-0.5	720	50/60

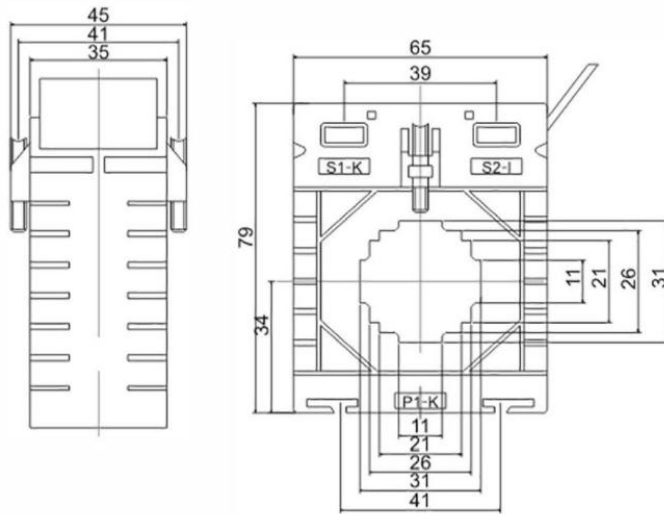
## DIMENSIONS AND MOUNTING



MES-62/20

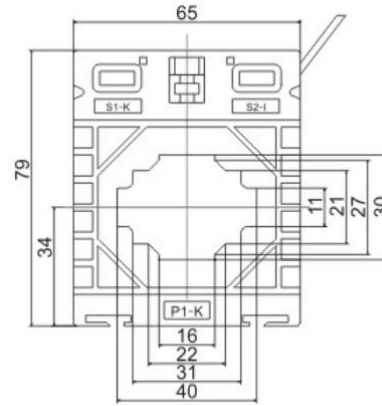
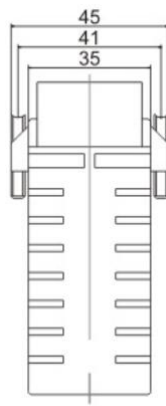


MES-62/30

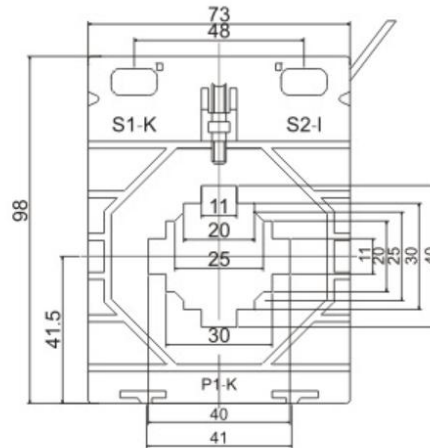
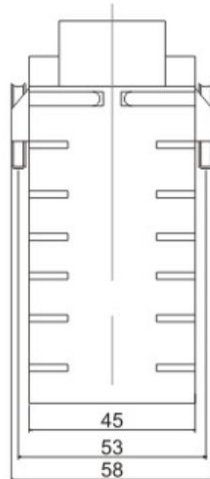




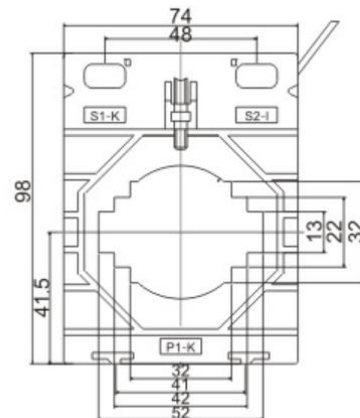
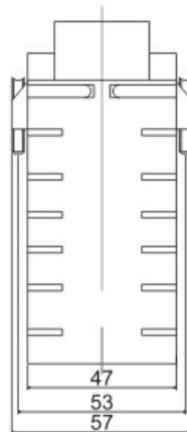
MES-62/40



MES-74/40

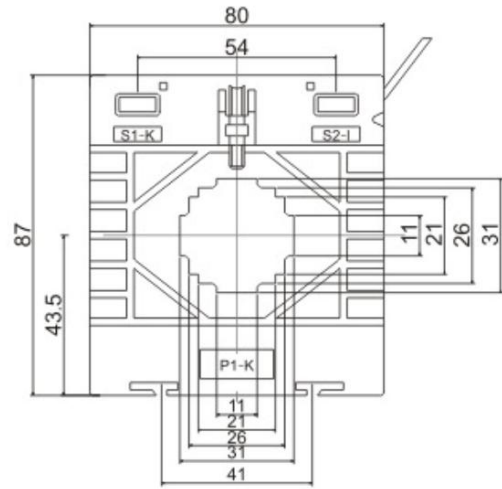


MES-74/50

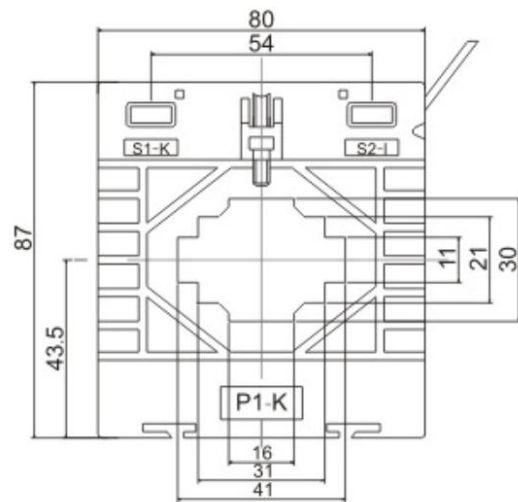
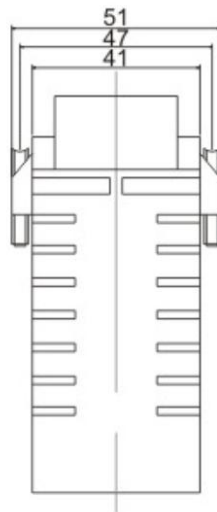




MES-80/30

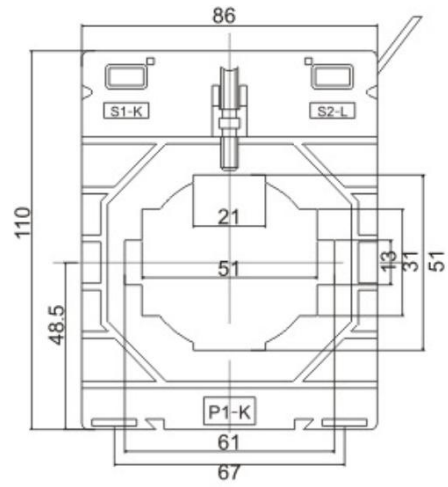
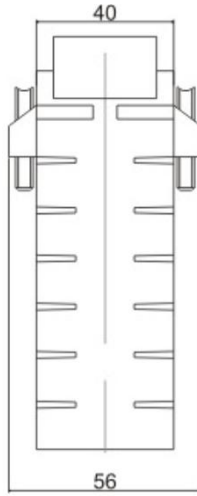


MES-80/40

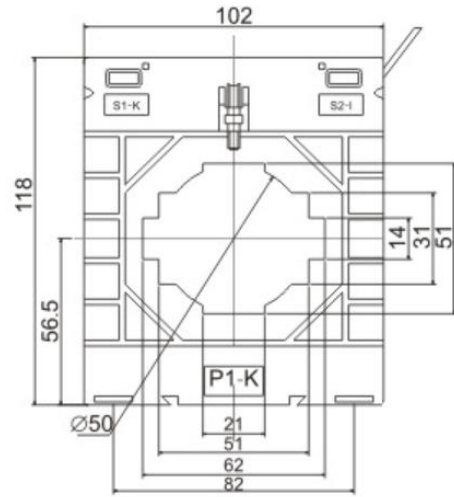
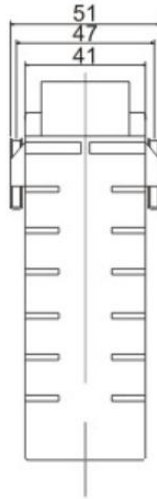




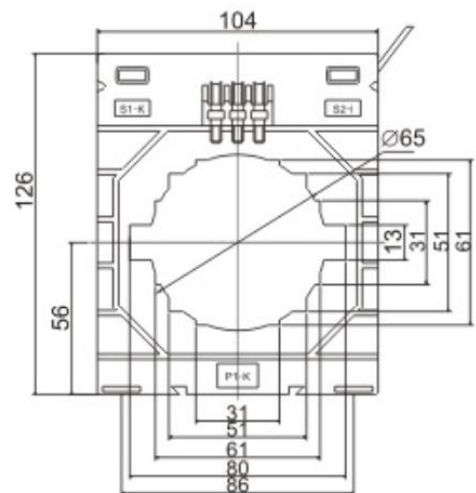
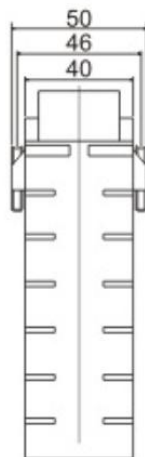
MES-86/60



MES-100/60



MES-104/80





MES-140/100

