

Moulded Case Circuit Breaker Disconnecter Switch Series ADM1-125SI/250SI/400SI



DESCRIPTION / APPLICATION

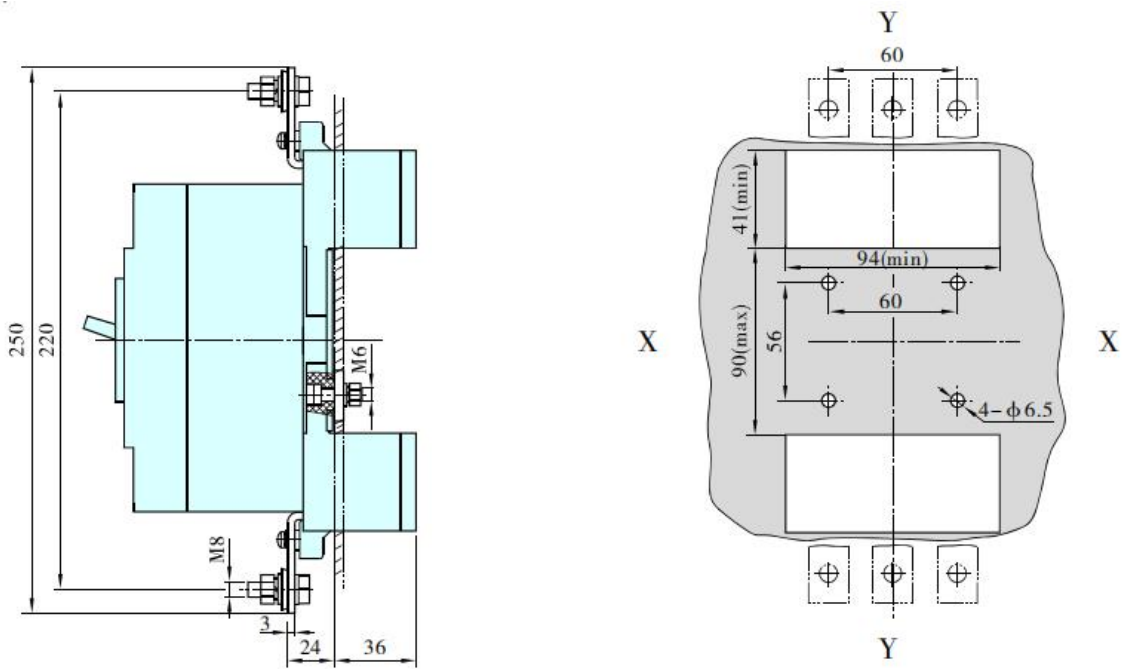
The moulded case circuit breaker will provide protection for the circuit and equipment in case of overload, short circuit and under voltage condition occurred in the power distribution circuit. Besides, it can also provide protection of overload, short circuit and under voltage for the non-frequent start of motor.

For the disconnecter switch series are mainly used for non-frequent circuit making or breaking circuit in the distribution network.

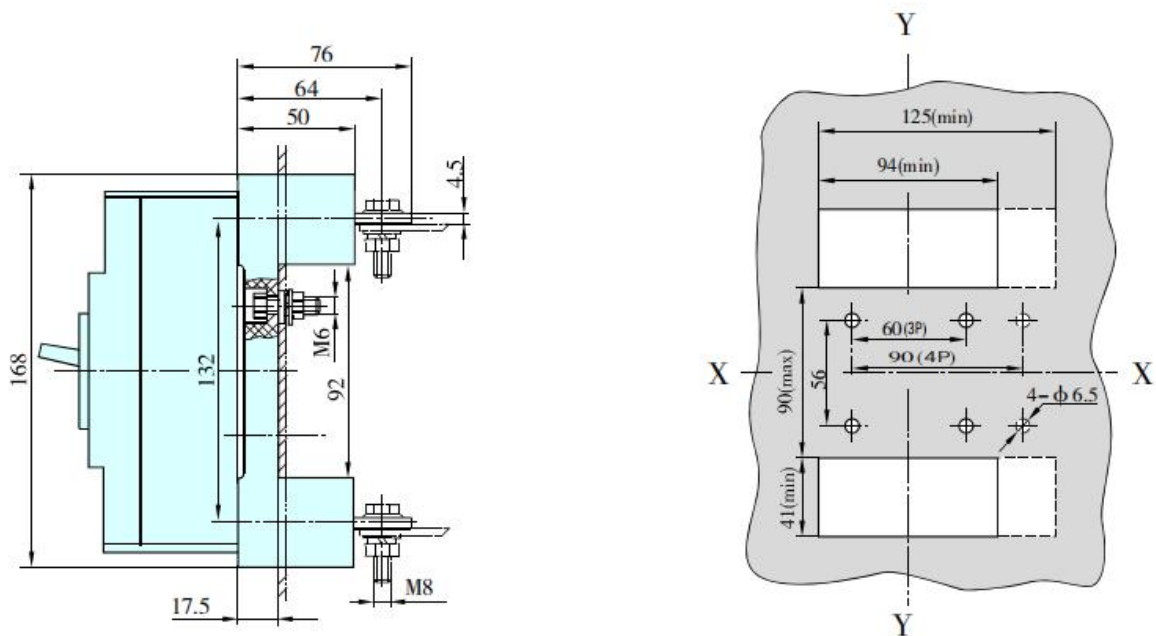
MAIN TECHNICAL DATA

Standard		IEC60947-3		
Frame size	A	125A	250A	400A
Rated Current	A	32, 40, 50, 63, 80, 100, 125	100,125,160,180,200, 225,250	225,250,300,400
Poles	P	3, 4	3, 4	3, 4
AC Volts	V	415/690	415/690	415/690
Rated insulation voltage	V	800	800	800
Rated impulsive withstand voltage	KV	8	8	8
Rated frequency	Hz	50/60	50/60	50/60
Installation method		Fixed type/Plug-in type		

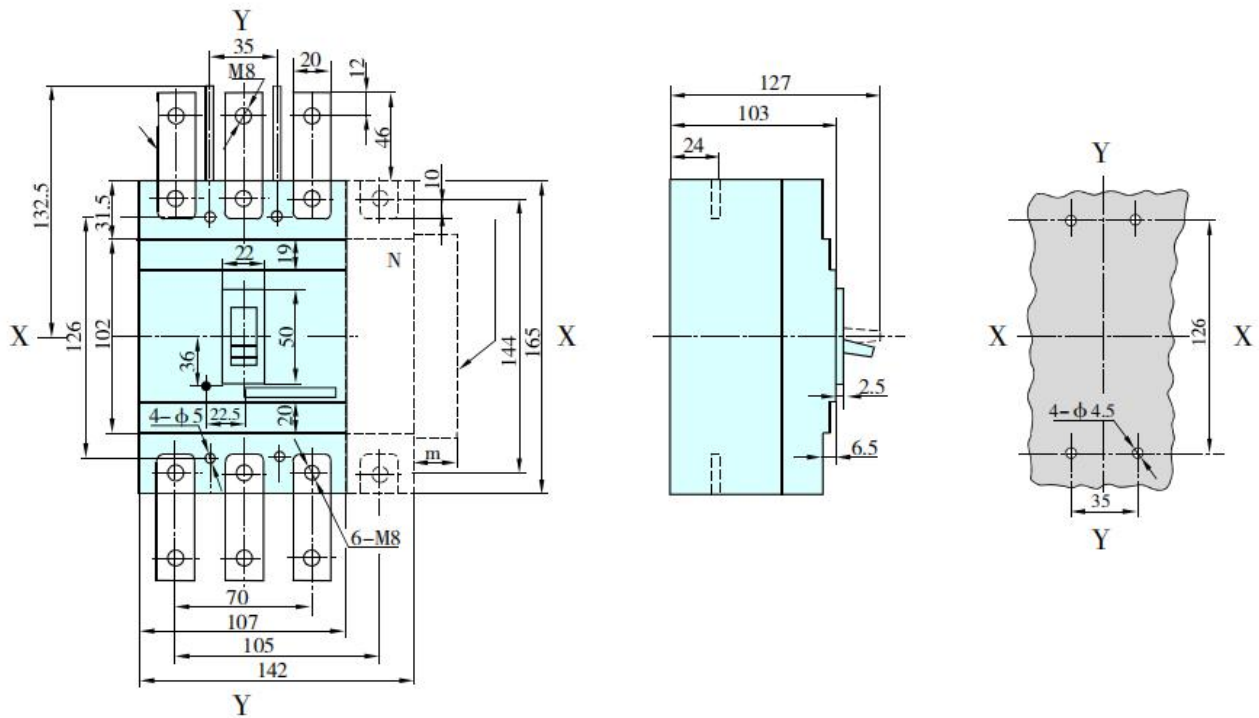
ADM1-125SI Plug type/Front-panel wiring(3P/4P)



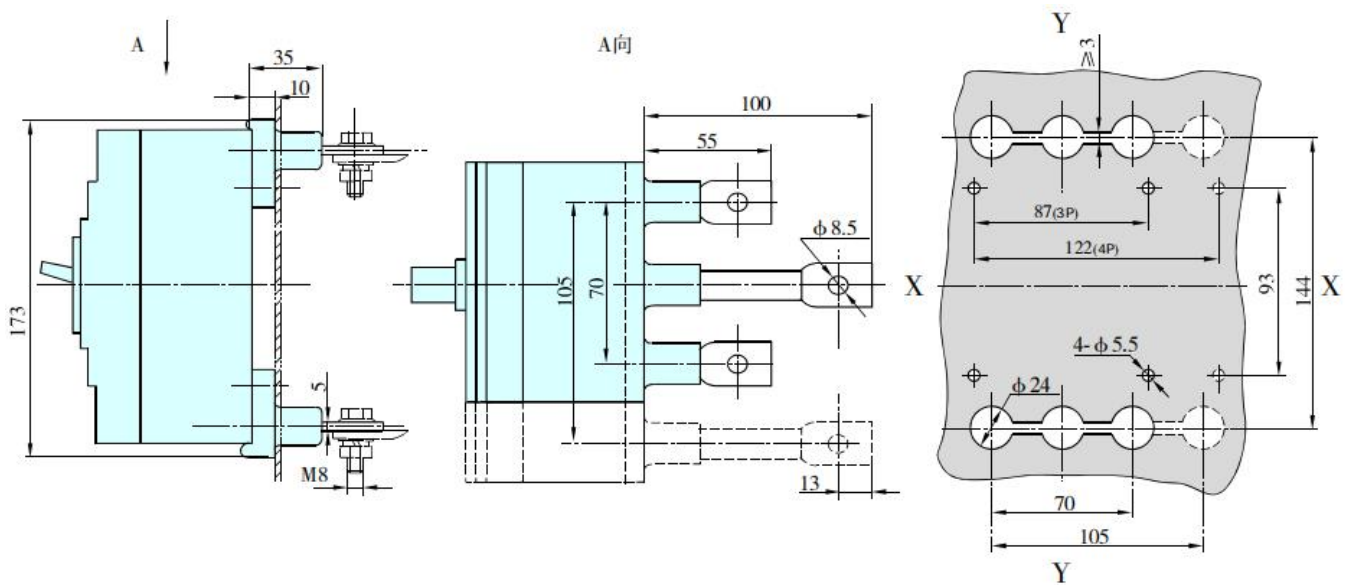
ADM1-125SI Plug type/Back-panel wiring(3P/4P)



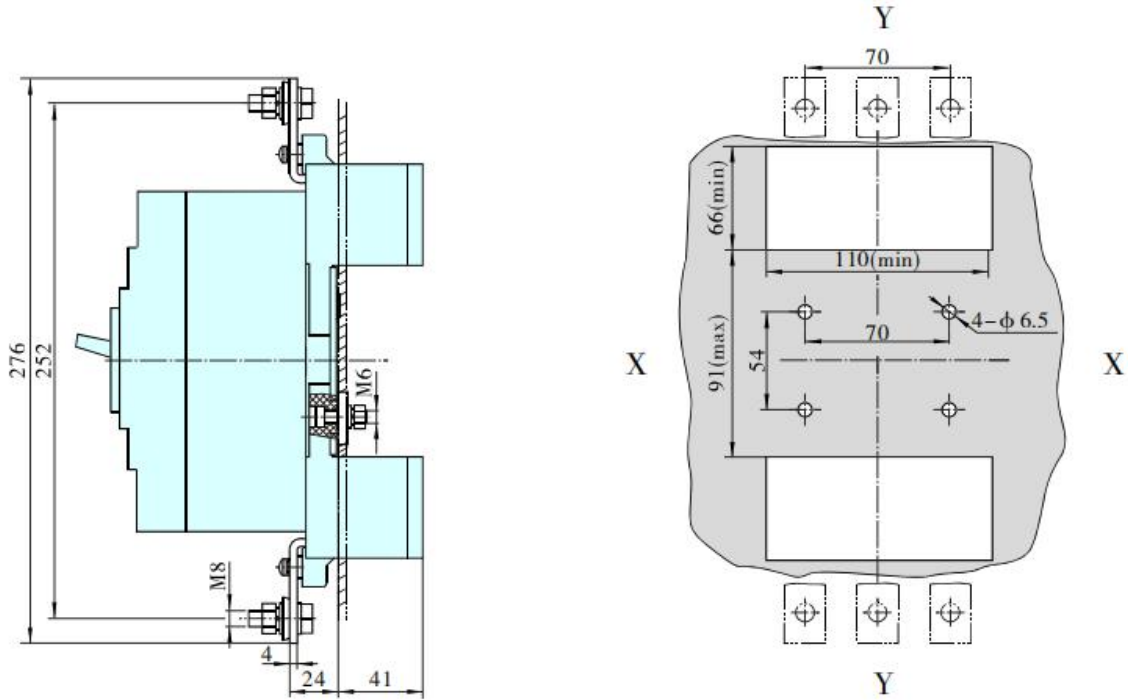
ADM1-250SI Front-plate wiring(3P/4P)



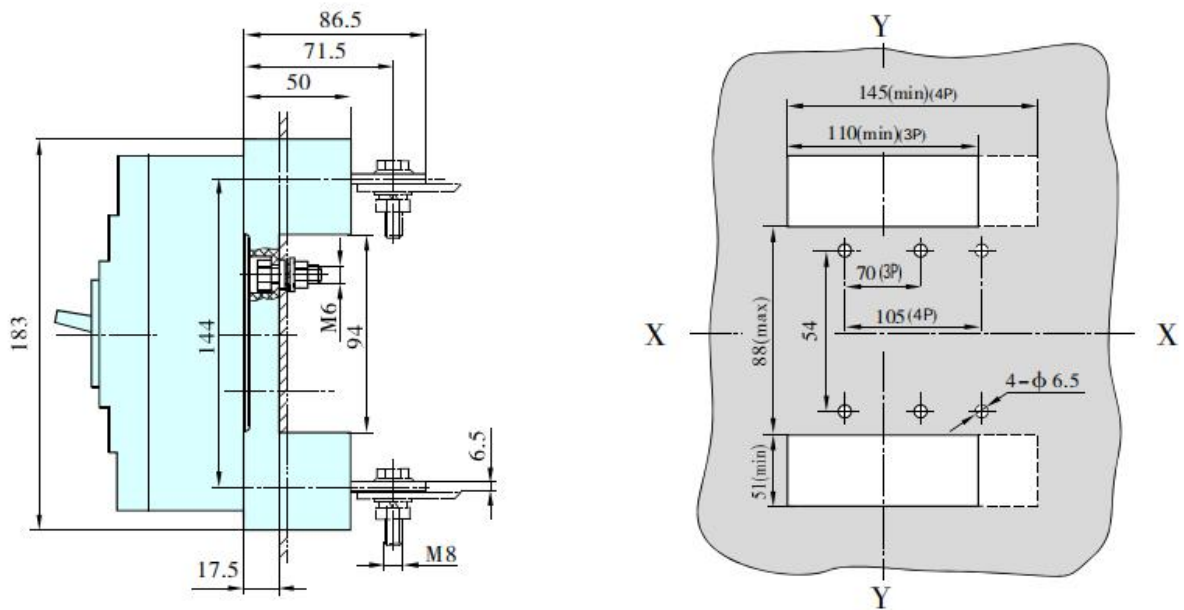
ADM1-250SI Back-plate wiring(3P/4P)



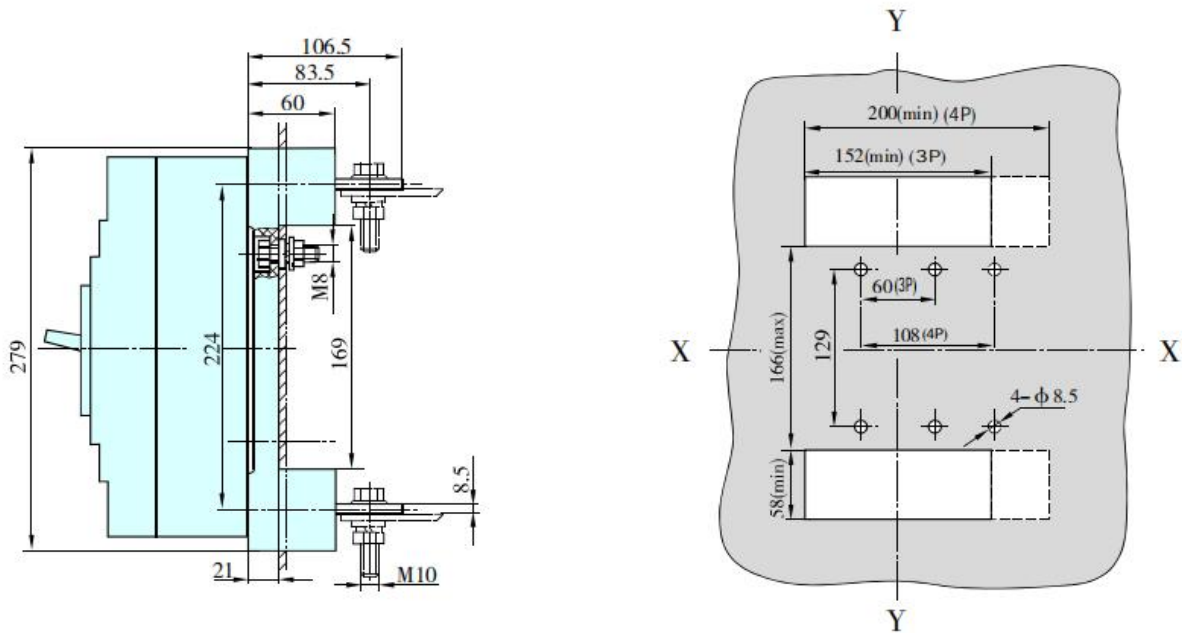
ADM1-250SI Plug type/Front-plate wiring(3P)



ADM1-250SI Plug type/Back-plate wiring(3P/4P)



ADM1-400SI Plug type/Front-plate wiring(3P)



ADM1-400SI Plug type/Back-plate wiring(3P/4P)

