

IPS-CE – CONNECTOR



DESCRIPTION / APPLICATION

Industrial plugs and sockets meet the international IEC 60309 Standard for the industrial sector and are available as mobile or for panel or wall mounting.

MAIN TECHNICAL DATA

Electrical Features	Standard		IEC60309-1, IEC60309-2
	Rated current	A	16, 32,63,125
	Poles		2P+E, 3P+E, 3P+N+E
	AC Volts	V	220-250V~, 380-415V~, 220-380V/240-415V~
	Rated frequency	Hz	50/60
Mechanical Features	Degree of protection		IP44 or IP67
Installation	Ambient temperature	°C	-25 °C / +40 °C
	Terminal connection type		Screw terminals
	Mounting		Portable

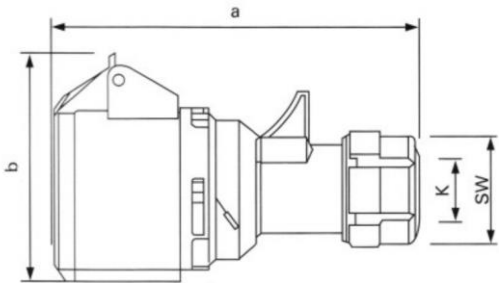
PART NUMBER EXAMPLE

BASE NUMBER	PRODUCT TYPE	CURRENT	POLES	PROTECTION
IPS-CE	2	1	3	2
EXAMPLE	IPS-CE-213N			
	IPS-CE-2132			

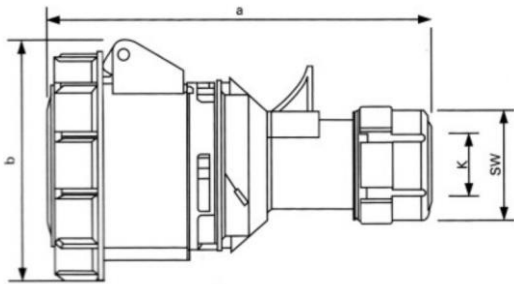
N = IP44

2 = IP67

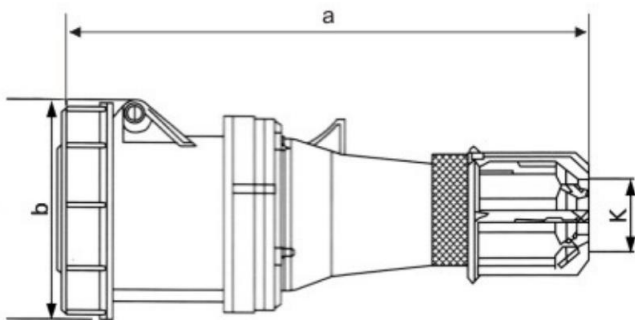
DIMENSIONS



Part Number	213N	214N	215N	223N	224N	225N
Ampere	16 A			32 A		
Poles	3	4	5	3	4	5
a	129	135	142	159	159	165
b	76	80	89	92	92	98
k	6-15	6-15	8-16	10-20	10-20	10-20
SW	38	38	42	50	50	50
Connection type	Screw terminal					
Wire flexible [mm ²]	1-2.5			2.5-6		



Part Number	2132	2142	2152	2232	2242	2252
Ampere	16 A			32 A		
Poles	3	4	5	3	4	5
a	133	139	149	162	162	168
b	78	84	92	96	96	102
k	6-15	6-15	8-16	10-20	10-20	10-20
SW	38	38	42	50	50	50
Connection type	Screw terminal					
Wire flexible [mm ²]	1-2.5			2.5-6		



Part Number	2332	2342	2352	2432	2442	2452
Ampere	63 A			125 A		
Poles	3	4	5	3	4	5
a	260	260	260	305	305	305
b	114	114	114	130	130	130
k	36	36	36	44.5	44.5	44.5
Connection type	Frame contact					
Wire flexible [mm ²]	6-16			16-50		