

# CS-LW26 – CAM CHANGE OVER SWITCH



## DESCRIPTION / APPLICATION

The LW26 series rotary switch mainly applies to 440V and below, AC 50Hz or 240V and below DC circuits. For breaking and closing, change-over of circuits under infrequently manual operation. And the typical application are: control switch of 3 phase motors, control switch of switch gear, control switch of instruments, and change-over switch of machinery and welding machine. The series comply with the GB 14048.3, GB 14048.5 and IEC 60947-3, IEC 60947-5-1. The LW26 series rotary switch has two derivatives: LW26GS Pad-lock type and LW26SKey-lock type. Both of them are applicable in circuits when an physical control is required.

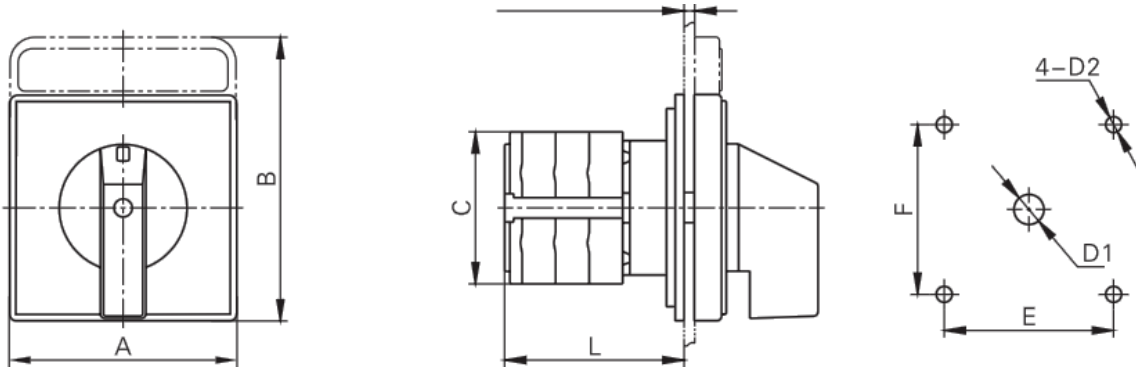
## MAIN TECHNICAL DATA

Electrical Features	Standard		IEC600947-3, IEC60947-5-1
	Rated current	A	25,63,80,100, 160
	Poles		2P, 4P
	AC Volts	V	240V, 415V
	Rated frequency	Hz	50/60
Installation	Ambient temperature	°C	-25 °C / +40 °C
	Terminal connection type		Screw terminals
	Mounting		Panel mount

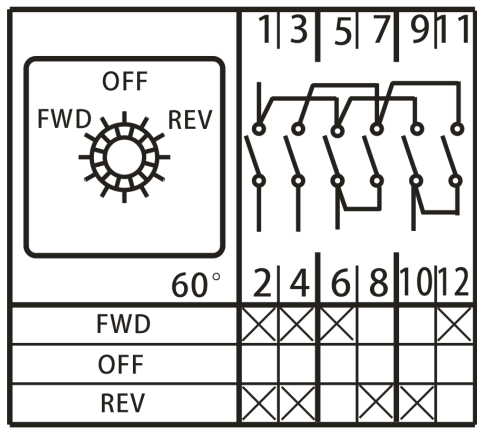
## PART NUMBER EXAMPLE

BASE NUMBER	MODEL	AMPERAGE	POLES
CS-LW26	M/G	63A	2P
EXAMPLE	CS-LW26-M/O-63/2P		
	CS-LW26-1/2-63/2P		

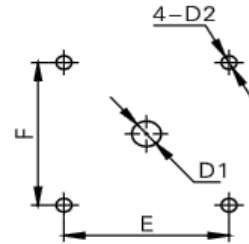
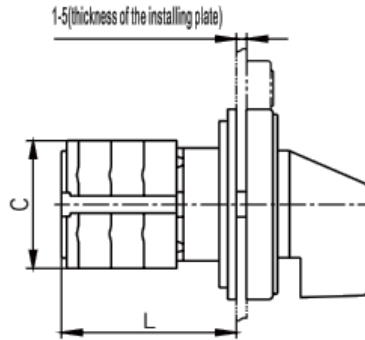
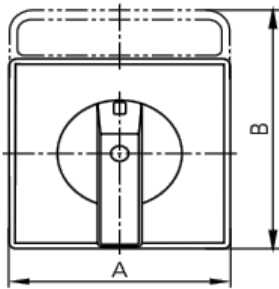
**DIMENSIONS**



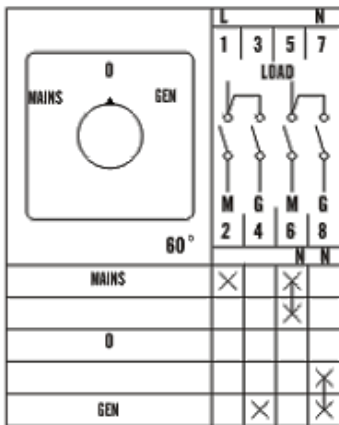
Specification	Escutcheon plate	Dimensions(mm)				Installation (mm)			
		A	B	C	L	E	F	D1	D2
LW26-16	M1 Square	48	48	43	22+9.6n	36	36	Φ8.5	Φ4.5



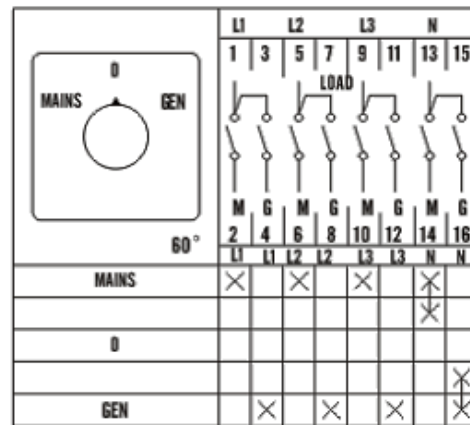
LW26-20~315 Dimension and Installation



LW26-63	M2 square	64	64	66	$29.2+21.5n$	48	48	∅ 10	∅ 4.5
LW26-63	M2 rectangular	64	80	66	$29.2+21.5n$	48	48	∅ 10	∅ 4.5
LW26-63	M3 square	88	88	66	$29.2+21.5n$	68	68	∅ 13	∅ 6
LW26-63F	M2 square	64	64	64	$29+12.8n$	48	48	∅ 10	∅ 4.5
LW26-63F	M2 rectangular	64	80	64	$29+12.8n$	48	48	∅ 10	∅ 4.5
LW26-63F	M3 square	88	88	64	$29+12.8n$	68	68	∅ 13	∅ 6



To validate the warrantee this product has to be installed by a qualified person.



To validate the warrantee this product has to be installed by a qualified person.