

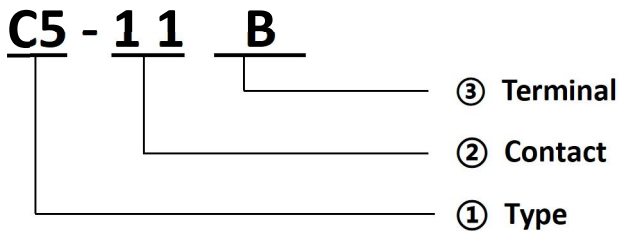
Toggle Switch



DESCRIPTION / APPLICATION

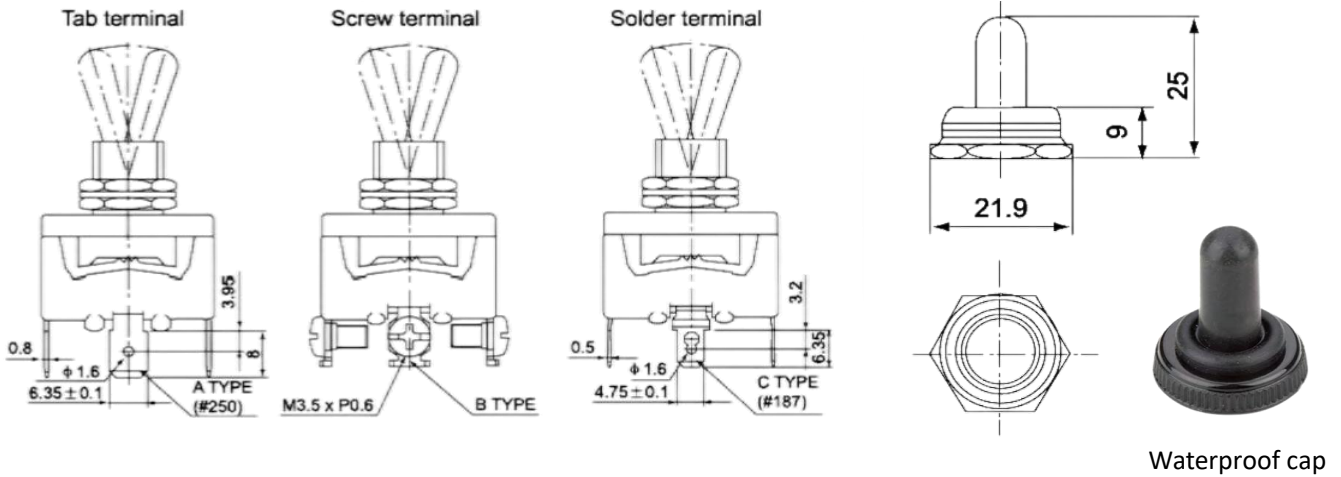
Toggle switch is a manual control switch, mainly used for on-off control of AC/DC power supply circuits, can also be used in several KHZ or up to 1 MHZ circuits. It has the characteristics of small size, easy operation and so on.

Widely used in electronic equipment, instrumentation, mining, power systems, household appliances, electrical equipment, and aerospace, aviation, ships, missiles, tanks and other military areas.



Items	Code	Description
① Type	CO	10A 250VAC Self locking
	COR	10A 250VAC Spring return
	C5	15A 250VAC Self locking
	C5R	15A 250VAC Spring return
② Contact	11	Single pole single throw ON-OFF
	12	Single pole double throw ON-ON
	13	Single pole double throw (central OFF)ON-OFF-ON
	131	Single pole double throw (central OFF single return)ON-OFF-ON
	21	Double pole single throw ON-OFF
	22	Double pole double throw ON-ON
	23	Double pole double throw (central OFF)ON-OFF-ON
	231	Double pole double throw (central OFF single return)ON-OFF-ON

③ Terminal	A	Tab terminal(#250)
	B	Screw terminal
	C	Solder terminal(#187)



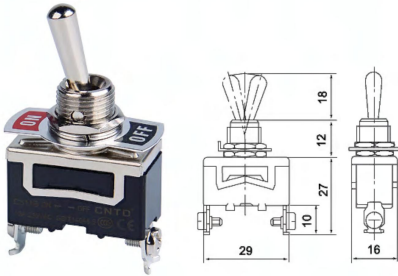
MAIN TECHNICAL DATA

Contact resistance	15MΩ max. (initial)
Insulation resistance	100MΩ above (at 500VDC)
Dielectric strength	2000VAC, 50/60Hz For 1 min
Vibration	10 ~55Hz, 1.5mm, double amplitude
Ambient temperature	Operating: -20-+70°C (With no icing)
Humidity	< 85%
Electrical life	≥500,000

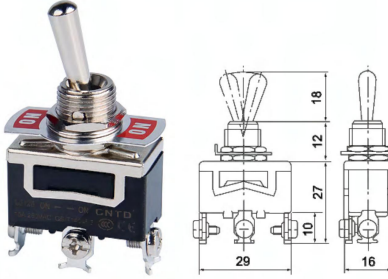
Load	Type	AC Rating	DC Rating
Resistance Load	C0	10A 250V 15A 125V	0.4A 250V 0.8A 125V
	C5	15A 250V 20A 125V	0.5A 250V 0.9A 125V
Inductive Load	C0	10A 250V 15A 125V	0.2A 250V 0.4A 125V
	C5	15A 250V 20A 125V	0.3A 250V 0.5A 125V
Lamp Load	C0	300W 100V 500W 200V	30V
	C5	400W 125V 800W 250V	-
Motor Load	C0	200W 125V 300W 250V	7A 30V
	C5	400W 125V(single phase)	-
	C0	550W 250V(three phase)	-
	C5	750W 250V(three phase)	-

DIMENSIONS AND MOUNTING

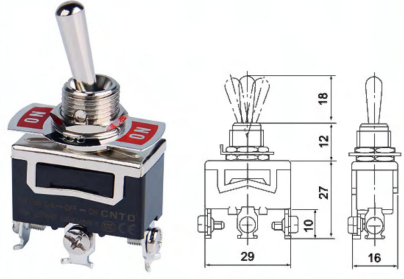
C511B
C5R11B



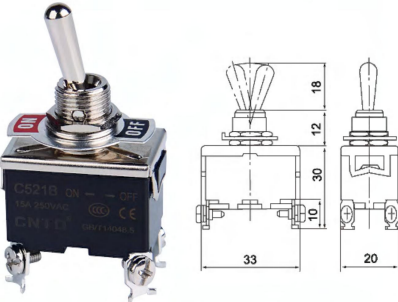
C512B
C5R12B



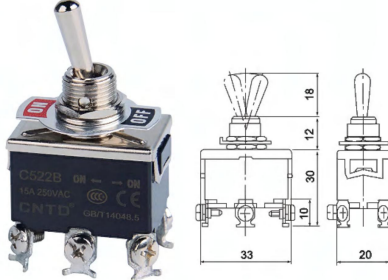
C513B
C5R13B



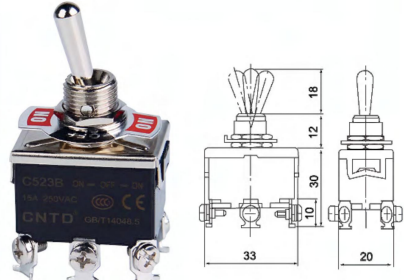
C521B
C5R21B



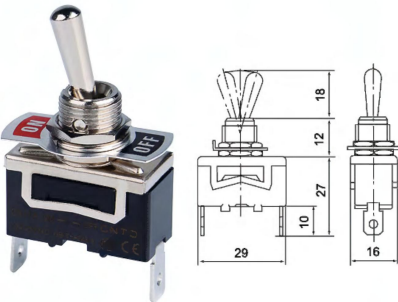
C522B
C5R22B



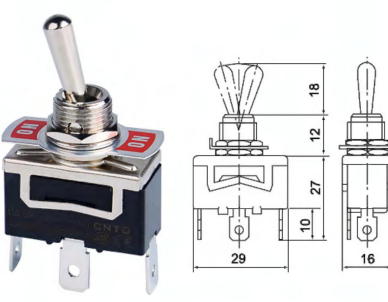
C523B
C5R23B



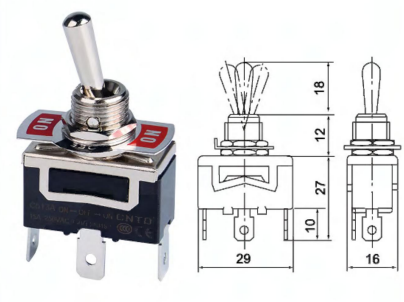
C511A
C5R11A



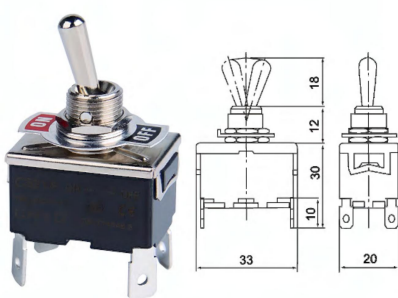
C512A
C5R12A



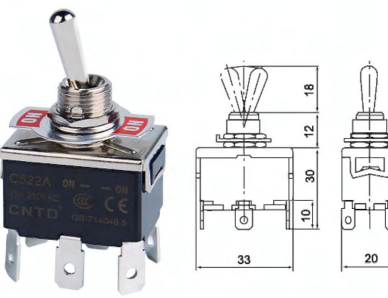
C513A
C5R13A



C521A
C5R21A



C522A
C5R22A



C523A
C5R23A

