

Advanced PID Temperature Controller Series PR 69



Cat. No.	151A12B	151B12B	151C12B	151D12B
Parameters				
Supply Voltage (⊕)	110 - 240 VAC/DC			
Supply Variation	-20% to +10% (of ⊕)			
Frequency	50/60 Hz			
Control Action	ON/OFF (Symmetric / Asymmetric), PID (Single Acting)			
Tuning Method	Auto Tuning / Manual Tuning			
Temperature sensors / Inputs	Thermocouple: J, K, E, S, B, R; RTD: PT100 - 3 wire compensation; Analog Signal DC: (0-50 mV, 0-60 mV, 12-60 mV)			
Measurement Range	Sensor J: 0 to 700°C/32 to 1292°F, Sensor K: 0 to 1300°C/32 to 2372°F, Sensor E: 0 to 600°C/32 to 1112°F, Sensor R: 0 to 1750°C/32 to 3182°F, Sensor S: 0 to 1750°C/32 to 3182°F, Sensor B: 250 to 1820°C/482 to 3308°F, Sensor PT100 3 wire: - 200 to 700°C/-328 to 1292°F			
Measurement Accuracy	± 0.5% of full scale of PT100, ± 1% of full scale for TC & mV signals			
Resolution	0.1°C for RTD, J,E & 1° for S,B,K,R & 0.001°C for mV signals			
Configurable Set Points	2			
Display	Dual row 7 segment display with LED indications, 4-digit process value, 4 digit set value			
Keypad	4-Keys: - Exit / Configurable Key, - Down, - Up, - Enter / Select			
Output 1	Relay: SPST 5A @ 240 VAC / 24 VDC	Analog: 0 - 10V DC / 4 - 20 mA Configurable Retransmission Output		Relay: SPST 5A @ 240 VAC / 24 VDC
Output 2	Relay: SPST 5A @ 240 VAC / 28 VDC			
Output 3	SSR: 12 VDC, 24 mA Short Circuit Protection		Relay: SPST 5A @ 240 VAC / 28 VDC	
Analog Output Update Rate	N A		150ms to 5s	
Alarm Types	Absolute (High/Low/Band), Deviation (High/Low/Band), Sensor Break, Loop Break,			
Soft Start Feature	Yes			
Ramp Soak Feature	No			
Operating Temperature	0°C to +50°C			
Storage Temperature	-20°C to +60°C			
Humidity (Non Condensing)	80% (Rh)			
Enclosure	Flame Retardant UL94V0			
Dimensions (W x H x D) (in mm)	48 x 48 x 107.4			
Weight (unpacked)	160 g			
Mounting	Flush			
Certification	Compliant			
Degree of Protection	IP 20 Terminal & Enclosure, IP 40 (For Front Panel only)			

EMI / EMC

ESD	IEC 61000-4-2
Radiated Susceptibility	IEC 61000-4-3
Electrical Fast Transients	IEC 61000-4-4
Surges	IEC 61000-4-5
Conducted Susceptibility	IEC 61000-4-6
Voltage Dips & Interruptions (AC)	IEC 61000-4-11
Conducted Emission	CISPR 11
Radiated Emission	CISPR 11

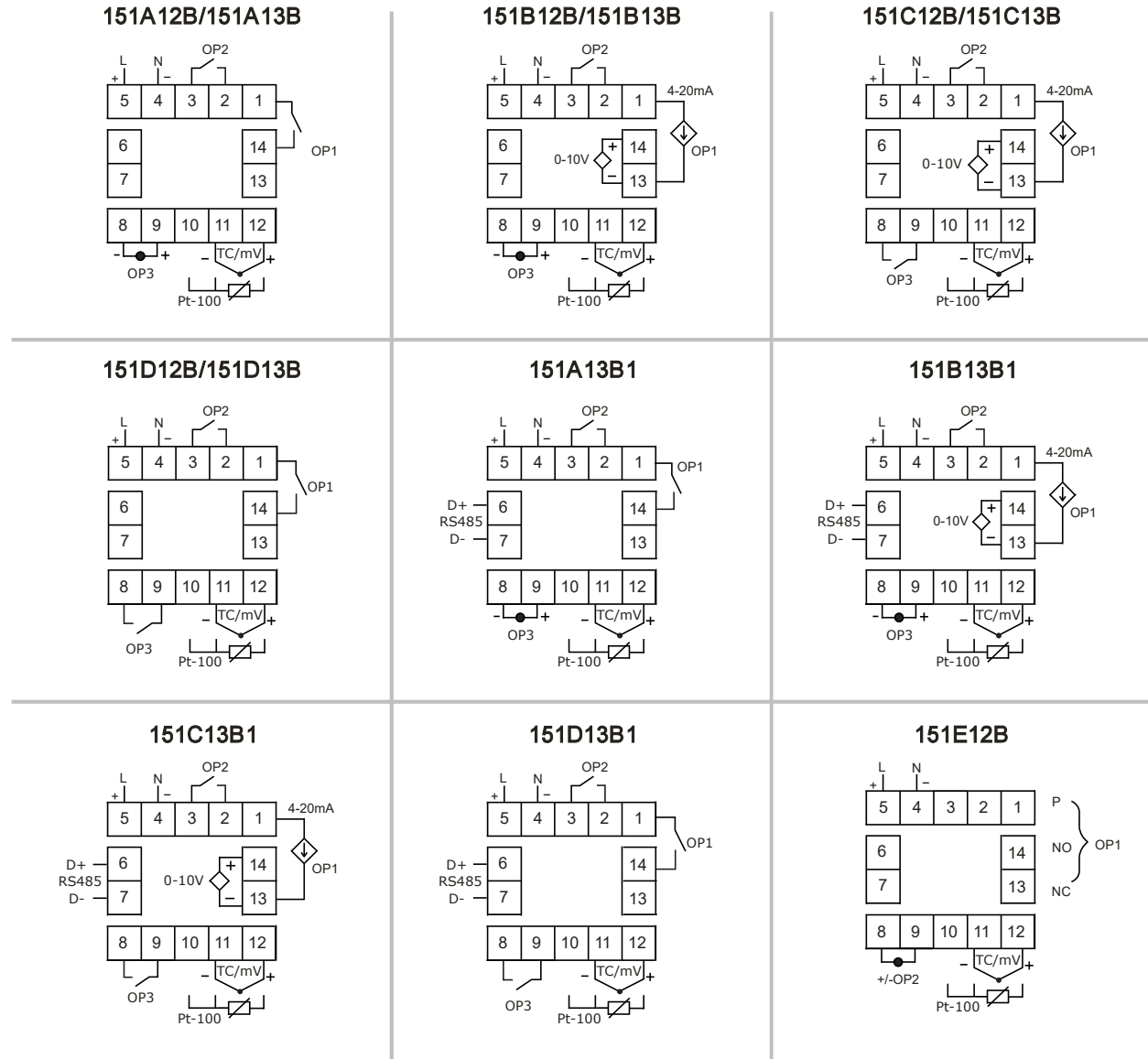
Environmental

Cold Heat	IEC 60068-2-1
Dry Heat	IEC 60068-2-2
Vibration	IEC 60068-2-6

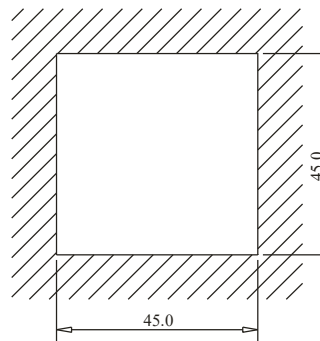
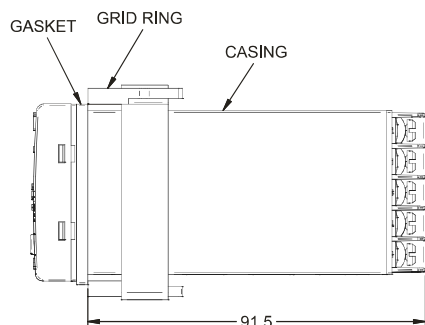
Advanced PID Temperature Controller Series PR 69



CONNECTION DIAGRAM



MOUNTING DIMENSION (mm)



Terminal Connection: AWG 20 to 12, Ph1- 4...5.0 mm, Torque 0.5 N. m (4.4 lb.in)