

PRODUCT SPECIFICATION

12038SL 220V AXIAL FAN 120sqx38mm SLEEVE BEARING 95CFM TERM,
40PCS/BOX, XYQIFAN(兴永奇)

1. Scope of application:

This product specification book standardizes the performance and test method of the product as the basis of technical confirmation

2. General characteristics

2.1 Product application scope

The product is mainly used for ventilation and heat dissipation of ground automatic control device, electronic equipment, medical equipment, computer, power supply equipment, welding machine, packaging and printing equipment, satellite communication, CNC machinery and other automatic equipment.

2.2 Standard test conditions:

Under normal circumstances, the test is carried out under the conditions of standard atmospheric pressure, temperature 5 ~ 35°C and relative humidity less than 85%. The standard test conditions of this specification are standard atmospheric pressure, temperature 25°C, relative humidity less than 60%;

2.3 Standards

Gb12350-2009 Safety requirements for small power motors

Cnca-01c-013:2007 Implementation Rules for Compulsory certification of Electric components production (Small Power motors)

3. Product structure

The product is composed of cylindrical aluminum alloy frame, PBT plastic wind blade and motor, through double-sided flange installation, small volume, maintenance free, easy to install, and has low noise, small vibration, reliable operation and other excellent performance.

4. General characteristics

No.	Item	Standard Value	Unit
1	Product mode	12038HA2SL	
2	Appearance size	120*120*38	mm
3	Rated voltage	AC220	V
4	Starting voltage	AC 187	V
5	Frequency	50	Hz
6	Rated current	0.14	A
7	Power	21	W
8	RPM	2600	RPM
9	Air volume	95.0	CFM
10	Wind speed		m/s
11	Temperature rise	60	°C
12	Noise value	45	dBA
13	Noise value	1007#22AWG	mm
14	Operating Environment	-20~+60	°C
15	Unit weight	0.45	KG
16	Packing	40	PCS

Material specification details of main materials					
No.	Component Name	Material	Safety level	Safety code	Material manufacturer
1	Frame	ADC12			
2	Blades	PBT			
3	Rotor	1300			
4	Copper wire	QA-1			
5	Bearing	Sleeve bearing			

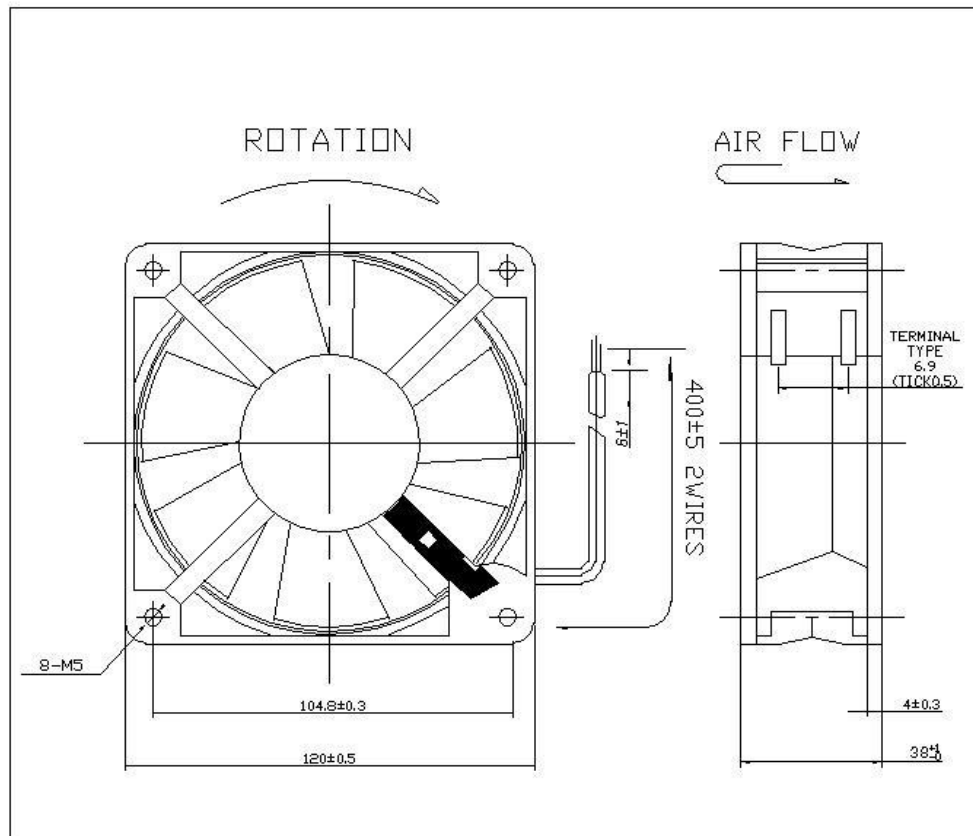
5. Product Drawing:

5、产品图纸:

MATERIAL

- 1. FRAME: ALuminum die-cast, Black color
- 2. IMPELLER: THERMOLASTIC PBT OF UL 94V0
- 3. LEAD WIRE: UL 1007# 20 AWG

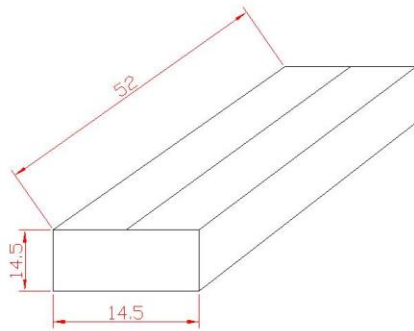
DIMENSIONS:MM



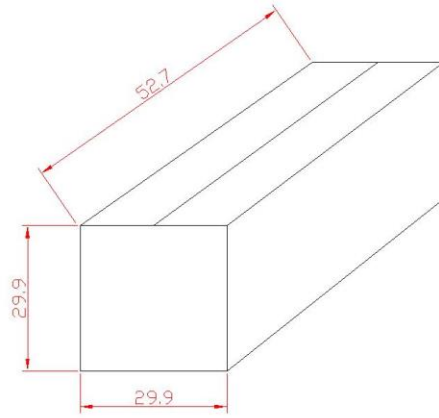
	SPEC. NO		REVISE DATE	
	ISSUE DATE		EDITION	
	PAGE			

6. Standard Packing:

Type	QTY (pcs)			Dimension L×W×H		Weight (Kg)
	Paperboard	Inner box	Outer box	Inner box	Outer box	
HT12038HA2SL	2	20	40	52×14.5×14.5	52.7×29.9×29.9	19



内盒



外箱