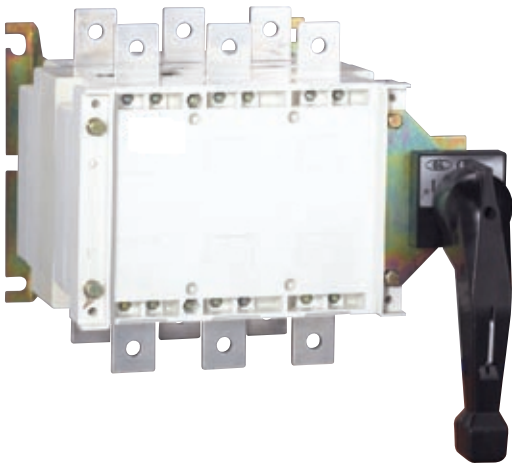


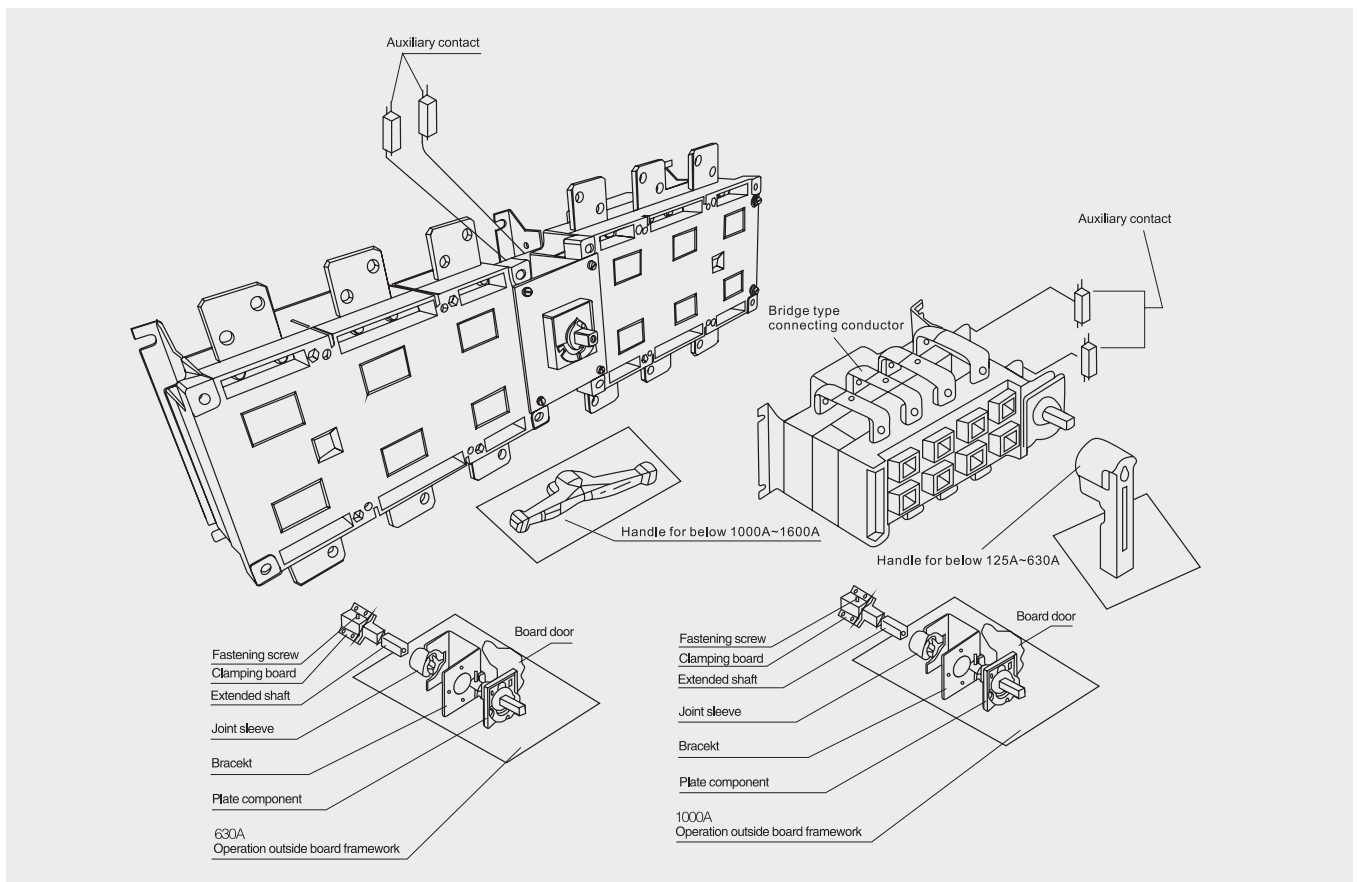
HGLZ Series

HGLZ-160A to 3150A Manual Transfer Switch



- ※ HGLZ-160A to 3150A the transfer switch is suitable for the changeover of two sets of low voltage electric circuit or the changeover of 2 sets of load devices or safety isolation.
- ※ Mode of operation: Direct operation: handle is installed on the switch. Operation outside the board: handle is installed outside the door of power distributing board.
- ※ Products with observation windows can be provided according to the demand to observe directly the on and off state of contact.
- ※ The products have three poles, four poles (three poles+on and off neural pole).
- ※ Extended shaft is used for the operation outside the board.
- ※ Two sets of auxiliary contacts can be assembled according to the demand.
- ※ Mechanical performance and electrical performance correspond to the mechanical property of HGLZ-160A~1600A.
- ※ A bridge can provided to connect the inlet or outlet terminal of the switch.
- ※ The electric cable insulating cover can be assembled.

Note: the bridge connection is chosen, an explanation is needed to indicate the inlet or outlet is connected with it.



HGLZ Series

Principal technical parameter

Table 1

Conventional thermal current I _{th} (A)		63A		100A		160A		250A	
Rated current I _n (A)		40	63	80	100	125	160	200	250
Rated insulation voltage U _i (V) (installation type IV)		690	690	690	690	690	690	690	690
Rated surge-resistant voltage U _{imp} kV (installed category IV)		6	6	6	6	6	6	6	6
Rated working current I _e (A)	380V AC-21B	40	63	80	80	125	160	200	250
	AC-22B	40	63	80	80	125	160	200	250
Motor power P (kW) 380V		18.5	25	40	40	63	80	100	132
Rated short-time withstand current I _{cw} (kA Rms) 0.1s/1s		2	2	2	2	8	8	12	12
Rated breaking capability I _{cn} (A Rms) AC23 380V		320	504	640	800	1000	1000	1600	1600
Rated making capability I _{cm} (A Rms) AC23 380V		400	630	800	1000	1250	1600	2000	2500
Rated short-current making capability I _{cm} (kA peak value)		2.84	2.84	2.84	2.84	13.6	13.6	17	17
Mechanical durability 380V		1700	1700	1700	1700	1400	1400	1400	1400
Electrical curability 380V		300	300	300	300	200	200	200	200
Operation moment (Nm)		1.2	1.2	1.2	1.2	6.5	6.5	10	10

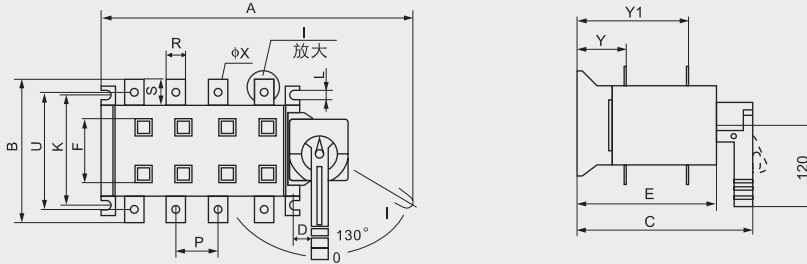
Conventional thermal current I _{th} (A)		630A				1600A			3150A		
Rated current I _n (A)		315	400	500	630	1000	1250	1600	2000	2500	3150
Rated insulation voltage U _i (V) (installation type IV)		1000	1000	1000	1000	1000	1000	1000	1000	1000	1000
Rated surge-resistant voltage U _{imp} kV (installed category IV)		6	6	6	6	6	6	6	6	6	6
Rated working current I _e (A)	380V AC-21B	315	400	500	630	1000	1250	1600	2000	2500	3150
	AC-22B	315	400	500	630	1000	1250	1600	2000	2500	3150
Motor power P (kW)	380V	160	220	280	315	560	560	560	710	710	710
	660V	185	185	185	185	475	475	475	750	750	750
Rated short-time withstand current I _{cw} (kA Rms) 0.1s/1s		25	25	25	25	50	50	50	50	50	50
Rated breaking capability I _{cn} (A Rms) AC23 380V		2520	3200	4000	5040	3000	3750	4800	6000	7500	9450
Rated making capability I _{cm} (A Rms) AC23 380V		3150	4000	5000	6300	3000	3750	4800	6000	7500	9450
Rated short-current making capability I _{cm} (kA peak value)		40	40	40	40	70	70	70	105	105	105
Mechanical durability (number of cyclic operation)		800	800	800	800	500	500	500	300	300	300
Electrical curability 380V		200	200	200	200	100	100	100	100	100	100
Operation moment (Nm)		14.5	14.5	14.5	14.5	37	37	60	60	60	60

HGLZ Series

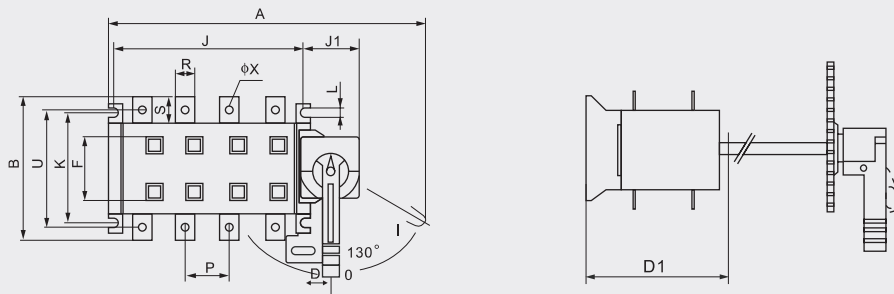
Overall & Installation Dimension

External dimension and installation dimension of HGLZ1-160A~1600A side operation load isolation switch

Direct operation of HGLZ1-160A~1600A



Operation outside of HGLZ1-160A~1600A



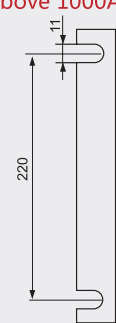
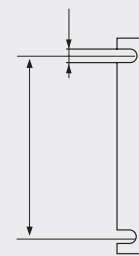
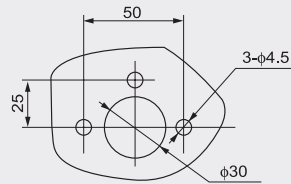
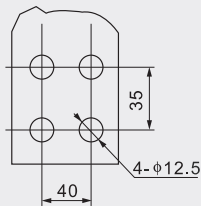
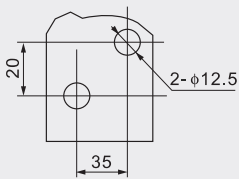
1000A

1250A~1600A

Installation size handle seat outside board

Mounting foot

Mounting foot above 1000A

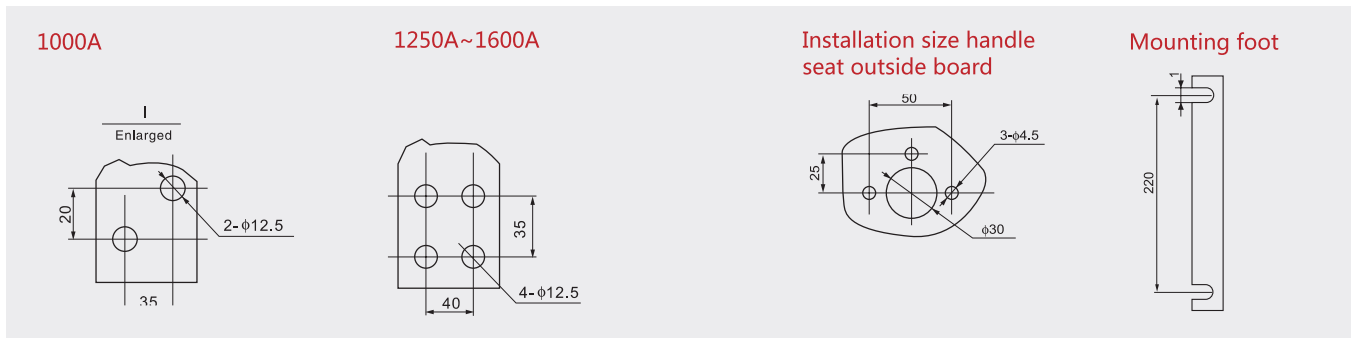
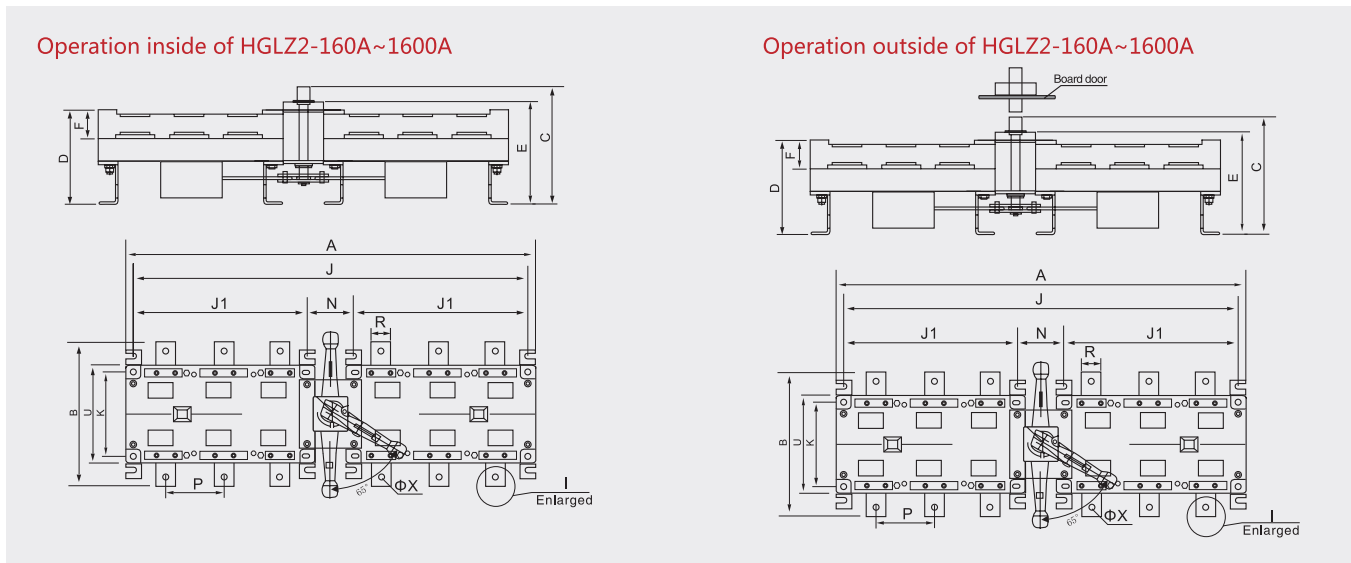


Specification	K1	L1
HGLZ-125~160A	95	7
HGLZ-200~250A	115	9
HGLZ-315~630A	180	11

HGLZ Series

In	A	B	C	D	D1	E	J	J1	K	L	P	R	U	ΦX	Y	Y1
125A~160A/3	267	135	212	29	187	153	120	65	95	7	36	20	115	9	55	121
125A~160A/4	297	135	212	29	187	153	150	65	95	7	36	20	115	9	55	121
200A~250A/3	308	170	251	30	216	182	160	65	116	9	50	25	140	11	64	146
200A~250A/4	358	170	251	30	216	182	210	65	116	9	50	25	140	11	64	146
315A~400A/3	420	240	322	45	277	243	210	77	179	11	65	32	206	11	83	193
315A~400A/4	490	240	322	45	277	243	270	77	179	11	65	32	206	11	83	193
500A~630A/3	420	240	322	45	277	243	210	77	179	11	65	40	220	13	83	193
500A~630A/4	490	240	322	45	277	243	270	77	179	11	65	40	220	13	83	193
1000A/3	583	312	397	52.5	352	309	353	108.5	220	11	120	60	235	13	107	251.5
1000A/4	703	312	397	52.5	352	309	473	108.5	220	11	120	60	235	13	107	251.5
1250A/3	583	338	397	52.5	352	309	353	108.5	220	11	120	80	233	13	107	251.5
1250A/4	703	338	397	52.5	352	309	473	108.5	220	11	120	80	233	13	107	251.5
1600A/3	583	338	397	52.5	352	309	353	108.5	220	11	120	80	233	13	108	251.5
1600A/4	703	338	397	52.5	352	309	473	108.5	220	11	120	80	233	13	108	251.5

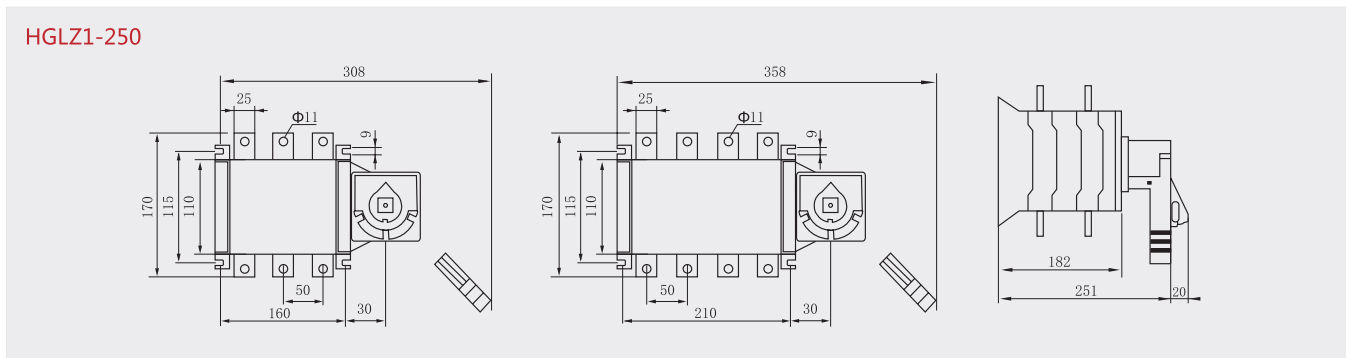
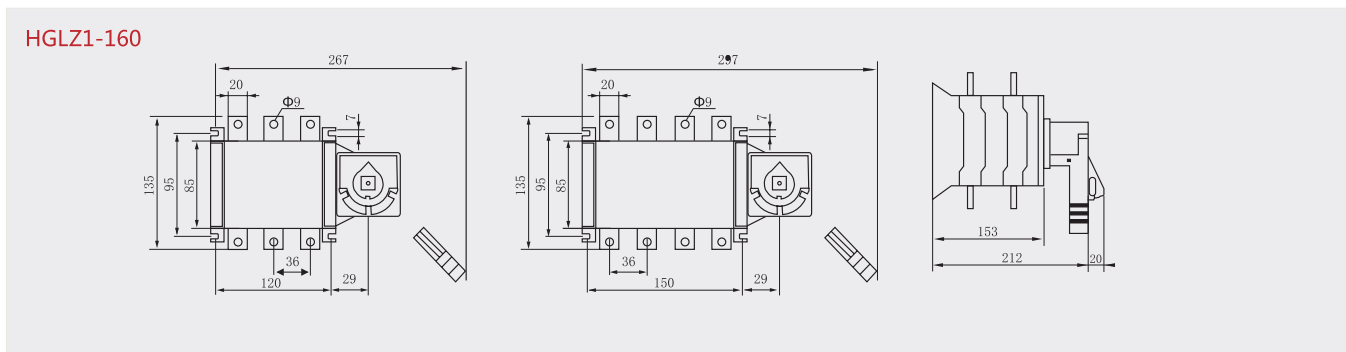
External dimension and installation dimension of HGLZ2-160A~1600A side operation load isolation switch



HGLZ Series

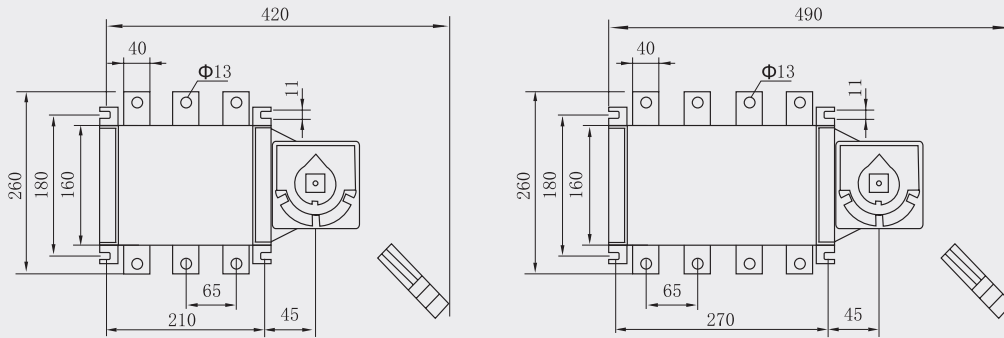
In	A	B	C	D	E	F	J	J1	K	N	P	R	U	ΦX
125A~160A/3	319	135	125	67	89	24	299	120	65	59	36	20	85	9
125A~160A/4	379	135	125	67	89	24	359	150	65	59	36	20	85	9
200A~250A/3	405	170	134	79	104	25	385	160	90	65	50	25	110	11
200A~250A/4	505	170	134	79	104	25	485	160	90	65	50	25	110	11
315A~400A/3	535	240	166	108	131	37	515	210	140	95	65	32	160	11
315A~400A/4	655	240	166	108	131	37	635	270	140	95	65	32	160	11
500A~630A/3	535	260	166	108	131	37.5	515	210	140	95	65	10	160	13
500A~630A/4	655	260	166	108	131	37.5	635	270	140	95	65	10	160	13
1000A/3	836	310	192	150	163	48	811	353	175	105	120	60	200	13
1000A/4	1076	310	192	150	163	48	1051	473	175	105	120	60	200	13
1250A/3	836	336	192	150	163	48	811	353	175	105	120	60	200	13
1250A/4	1076	336	192	150	163	48	1051	473	175	105	120	60	200	13
1600A/3	836	336	192	150	163	49	811	353	175	105	120	60	200	13
1600A/4	1076	336	192	150	163	49	1051	473	175	105	120	60	200	13

External dimension and installation dimension of HGLZ1-160A~1600A side operation load isolation switch



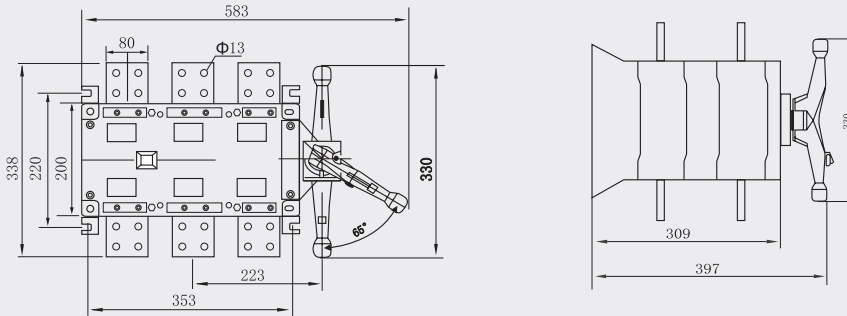
HGLZ Series

HGLZ1-630



External dimension and installation dimension of HGLZ1-160A~1600A side operation load isolation switch

HGLZ1-1600



HGLZ1-1600

