

# DOL STARTER

## Application

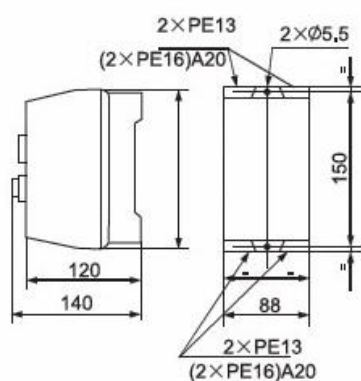
The products is mainly applied to circuit of AC 50 or 60Hz, Voltage up to 550V for far distance making and breaking circuit and frequently starting and controlling motor.

## Technical Data

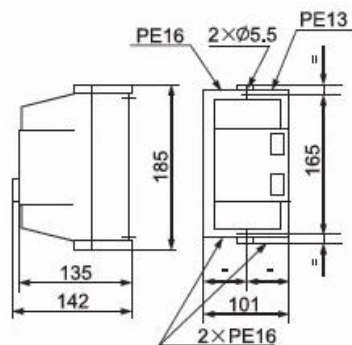


Type	Rated current (A)	Max. power AC3 duty(KW)						Suitable Thermal Relay (A)
		220V 233V	380V 400V	415 V	440V	500V	660V 690V	
ADE1 D209	9	2.2	4	4	4	5.5	5.5	LR2 D1312
ADE1 D212	12	3	5.5	5.5	5.5	7.5	7.5	LR2 D1314
ADE1 D218	18	4	7.5	9	9	10	10	LR2 D1316
AD E1 D225	25	5.5	11	11	11	15	15	LR2D1321 LR2 1322
ADE1 D232	32	7.5	15	15	15	18.5	18.5	LR2 D2355
ADE1 D240	40	11	18.5	22	22	22	30	LR2 D3353 LR2 D3355
ADE1 D250	50	15	22	25	30	30	33	LR2 D3357 LR2 D3359
ADE1 D265	65	18.5	30	37	37	37	37	LR2 D3381
ADE1 D280	80	22	37	46	45	55	45	LR2 D3363 LR2 3365
ADE1 D295	95	25	45	45	45	55	45	LR2 D3365

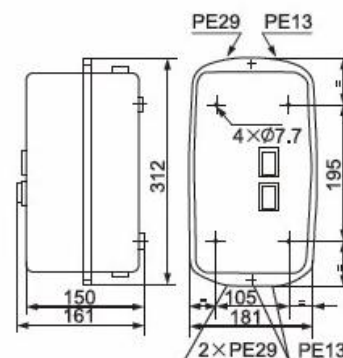
## Overall and mounting dimension(mm)



LE-D9~LE-D18



LE-D25~LE-D32



LE-D40~LE-D95