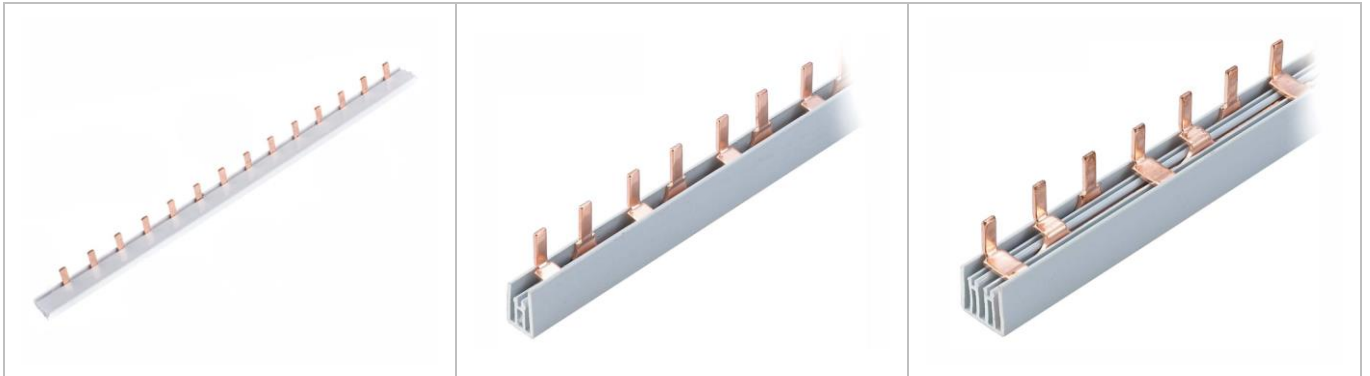


INSULATED BUS BARS



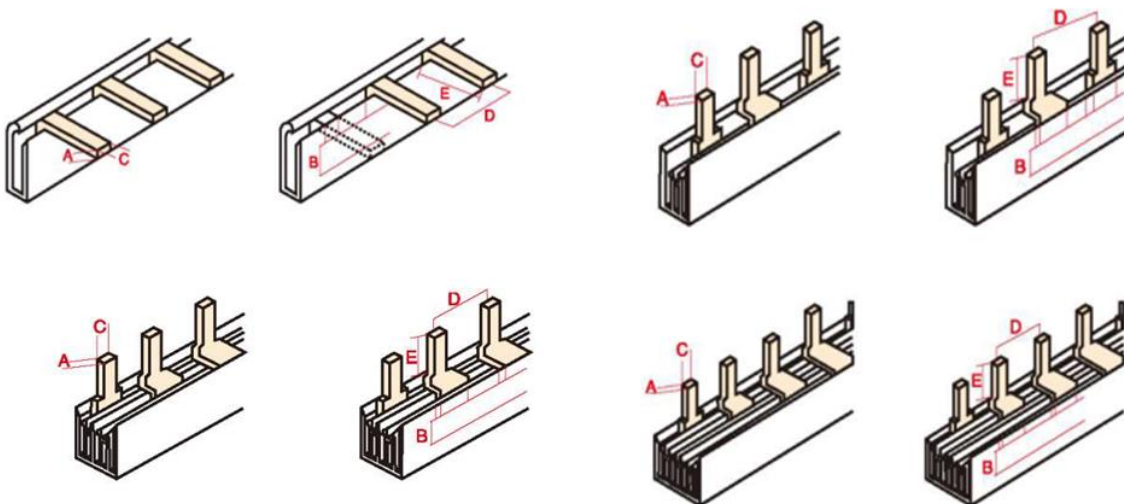
DESCRIPTION / APPLICATION

Insulated bus bars are a convenient, efficient and quick way of interconnection multiple circuit breakers.

Material : Fire-resistant PVC and copper

Operating temperature : -25°C to +50°C

Accessories : End caps



MAIN TECHNICAL DATA

PIN Type - 50A

	Nominal Current		Nominal Voltage			Cross Section	
	50A		415V			8mm ²	
	A	B	C	D	E	Length	Ways
1P	1.2mm	7mm	4mm	17.8mm	11.5mm	1000mm	54
2P	1.2mm	7mm	4mm	17.8mm	11.5mm	1000mm	54
3P	1.2mm	7mm	4mm	17.8mm	11.5mm	1000mm	54
4P	1.2mm	7mm	4mm	17.8mm	11.5mm	1020mm	56

PIN Type- 63A

	Nominal Current		Nominal Voltage			Cross Section	
	63A		415V			10mm ²	
	A	B	C	D	E	Length	Ways
1P	1.4mm	7mm	4mm	17.8mm	11.5mm	1000mm	54
2P	1.4mm	7mm	4mm	17.8mm	11.5mm	1000mm	54
3P	1.4mm	7mm	4mm	17.8mm	11.5mm	1000mm	54
4P	1.4mm	7mm	4mm	17.8mm	11.5mm	1020mm	56

PIN Type - 80A

	Nominal Current		Nominal Voltage			Cross Section	
	80A		415V			13mm ²	
	A	B	C	D	E	Length	Ways
1P	1.4mm	9mm	4mm	17.8mm	11.5mm	1000mm	54
2P	1.4mm	9mm	4mm	17.8mm	11.5mm	1000mm	54
3P	1.4mm	9mm	4mm	17.8mm	11.5mm	1000mm	54
4P	1.4mm	9mm	4mm	17.8mm	11.5mm	1020mm	56

PIN Type - 100A

	Nominal Current		Nominal Voltage			Cross Section	
	100A		415V			16mm ²	
	A	B	C	D	E	Length	Ways
1P	1.7mm	9mm	4mm	17.8mm	11.5mm	1000mm	54
2P	1.7mm	9mm	4mm	17.8mm	11.5mm	1000mm	54
3P	1.7mm	9mm	4mm	17.8mm	11.5mm	1000mm	54
4P	1.7mm	9mm	4mm	17.8mm	11.5mm	1020mm	56

MAIN TECHNICAL DATA

PIN Type - 125A

	Nominal Current		Nominal Voltage		Cross Section	
	125A		415V		20mm ²	
	A	B	D	E	Length	Ways
1P	2.0mm	9mm	17.8mm	11.5mm	1000mm	54
2P	2.0mm	9mm	17.8mm	11.5mm	1000mm	54
3P	2.0mm	9mm	17.8mm	11.5mm	1000mm	54
4P	2.0mm	9mm	17.8mm	11.5mm	1020mm	56

END CAPS (OPTIONAL)

