
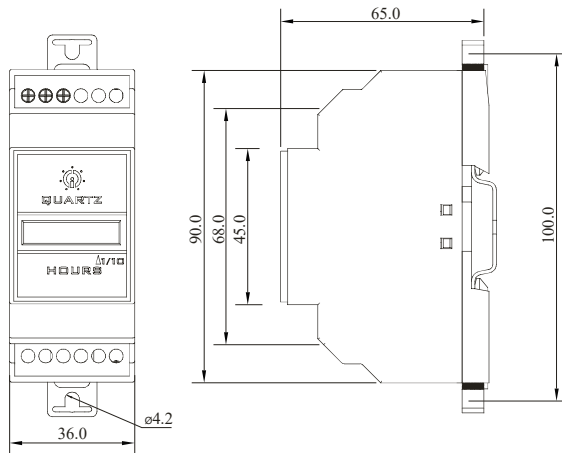


Hour Meter Series HM 36




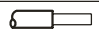
Cat. No.	30A6B1	30D1B1	30D4B1	30C3B1
Parameters				
Supply Voltage (φ)	90 - 264 / 270 - 460 VAC	10 - 80 VDC	110 VDC	4-36 VAC/DC
Frequency	50/60 Hz	N A	N A	50/60 Hz
Over Voltage	N A	96 VDC, 1 min	96 VDC, 1 min	48 VDC, 1 min
Reverse Polarity Protection	N A	Yes	Yes	Yes
Power Consumption (Max.)	1 VA Max	0.25 VA	0.5 VA	1 Watt (Max)
Register	6 Digit (3.6mm)			
Read Out	99999.9			
Least Count	1/10 h			
Accuracy	± 0.02% over entire range			
Weight (unpacked)	70g			
Operating Temperature	-5° C to +55° C			
Storage Temperature	-20° C to +70° C			
Humidity (Non Condensing)	95% (Rh)			
Mounting	Base/DIN Rail			
Degree of Protection	IP 20 for Terminals, IP 40 for Enclosure			
Approvals	 			

MOUNTING DIMENSIONS (mm)

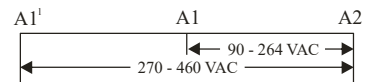


30A6B1, 30A7B1, 30D1B1, 30D4B1

TERMINAL TORQUE & CAPACITY

 $\varnothing 3.5 \dots 4.0 \text{ mm}$	Torque - 0.54 N.m (5 Lb.in) Terminal screw - M2.6
	Solid Wire - 1 X 0.2...3.3 mm ²
AWG	1 X 24 to 12

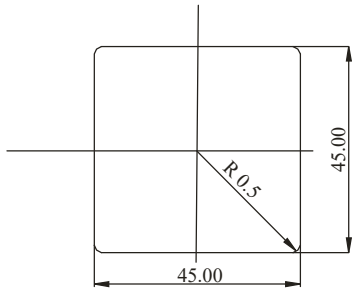
CONNECTION DIAGRAM



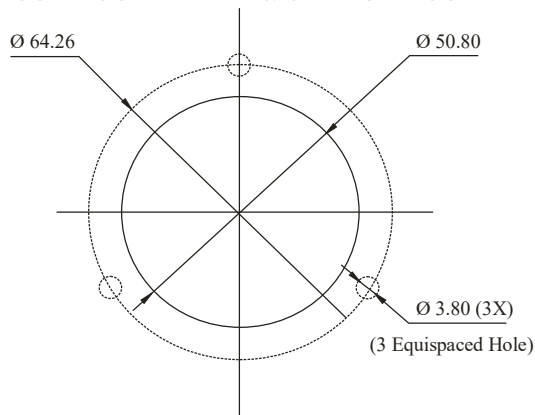
Hour Meter Series HM 36

MOUNTING DIMENSION (mm)

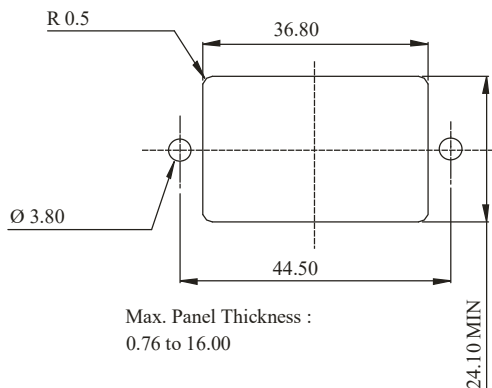
SQUARE MOUNT BEZEL (45 X 45 PANEL CUTOUT)



ROUND BEZEL, ROUND 3 HOLES BEZEL, CUP MOUNT BEZEL & STIRRUP MOUNT BEZEL

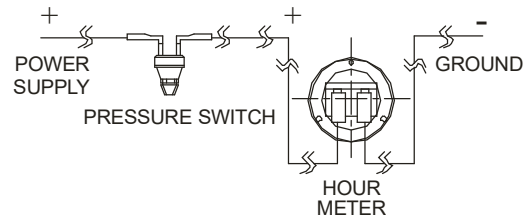
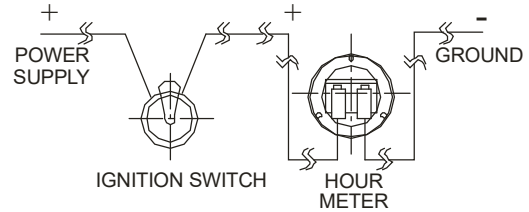


RECTANGULAR BEZEL

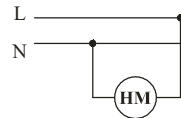


CONNECTION DIAGRAM

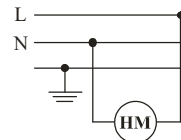
FOR: DC SERIES



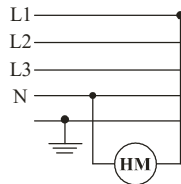
FOR: AC SERIES



Single phase, 2 wire, 120/240 V system:
Connect power wire to one terminal and neutral wire to opposite terminal.



Single phase, 3 wire, 120/240 V system:
Connect any one power wire to one terminal and neutral wire to opposite terminal.



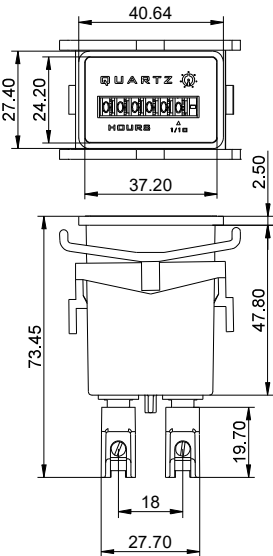
Three phase, 4 wire, 120/240 V system:
Connect any one power wire to one terminal and neutral wire to opposite terminal.

CAUTION

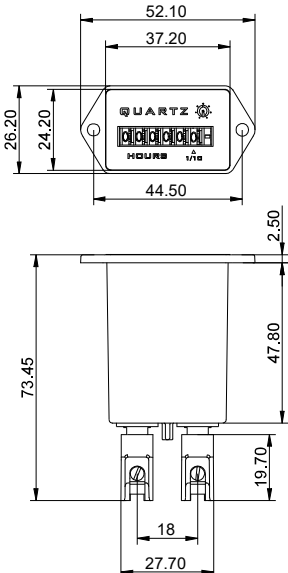
Tighten terminals with flat head screwdriver with tip size 4.3 x 0.6 mm.

Hour Meter Series HM 36

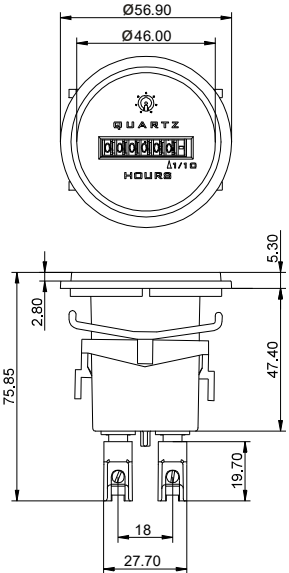
VIEWS OF DIFFERENT BEZELS



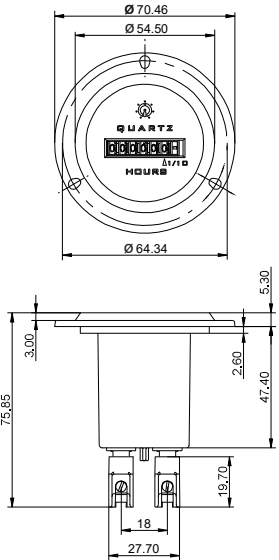
Rectangular Bezel



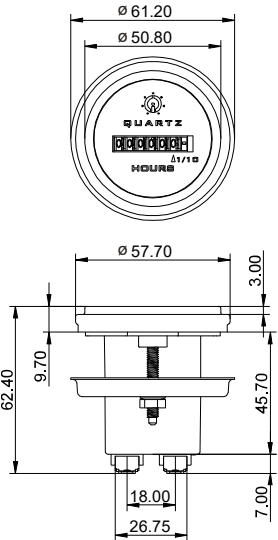
Rectangular 2 holes Bezel



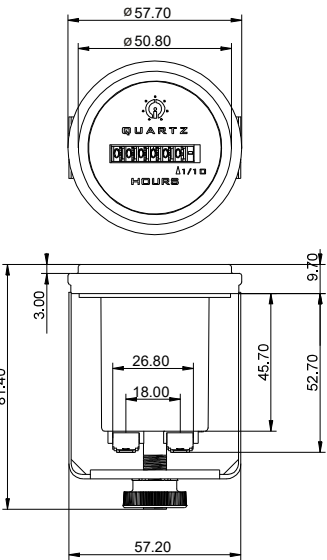
Round Bezel



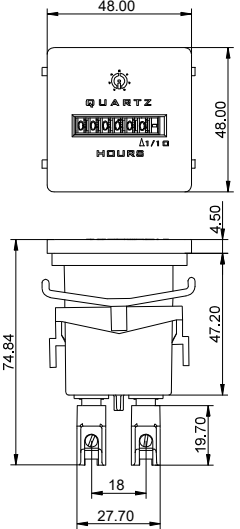
Round 3 holes Bezel



Cup Mount Bezel



Stirrup Mount Bezel



Square Bezel

Dimensions in mm